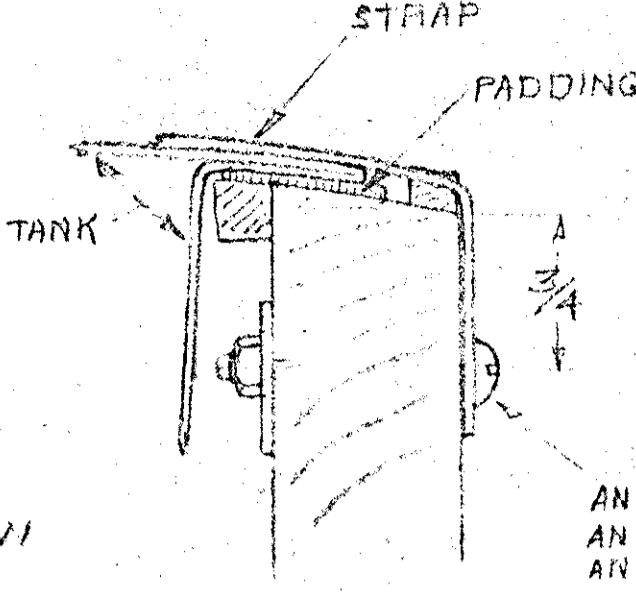
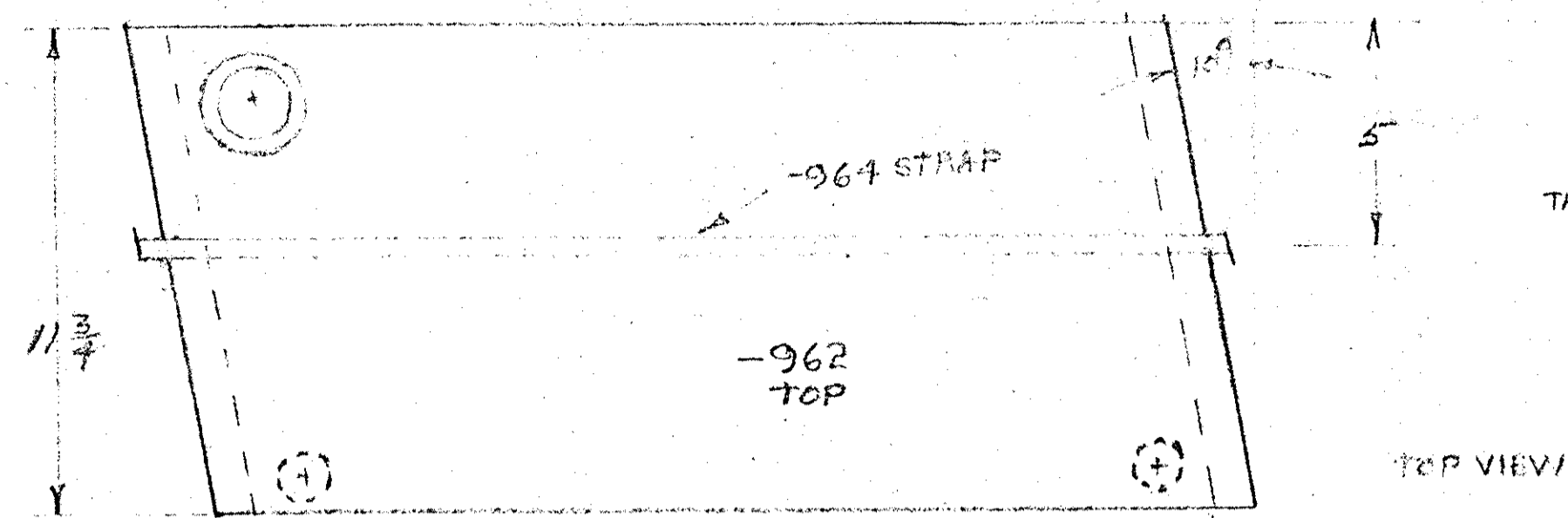
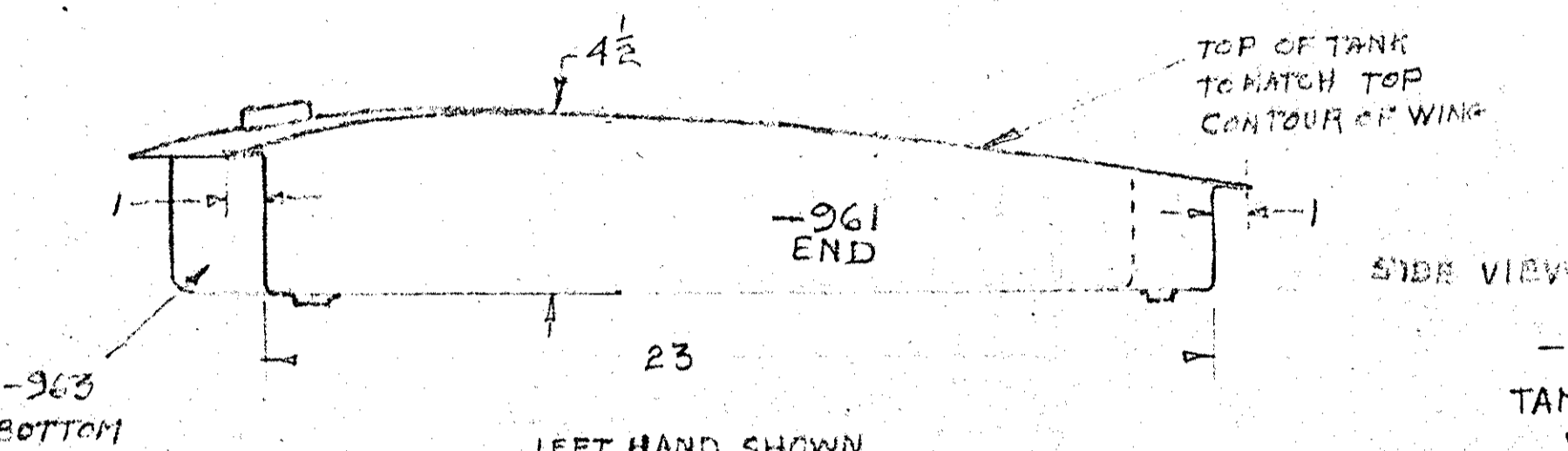


-965
BRACKET
2 REQ
.045 4130

FRONT SPAR
DETAILS



REAR SPAR
DETAILS

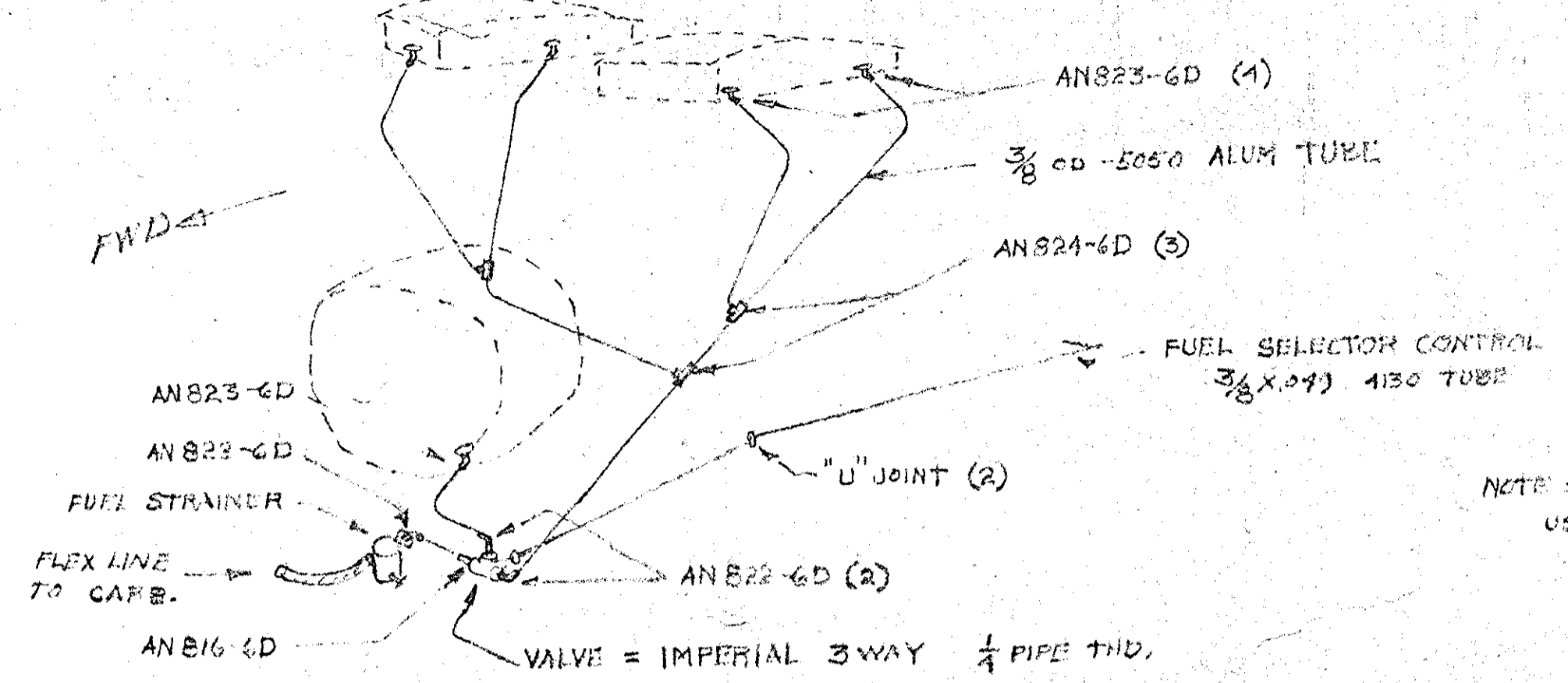


-960
TANK ASSY.
WING
2 REQ
I-L, I-R
3" = 1"

DIMENSIONS SHOWN WILL GIVE
CAP. OF APPROX. 8 1/2 GAL. U.S.

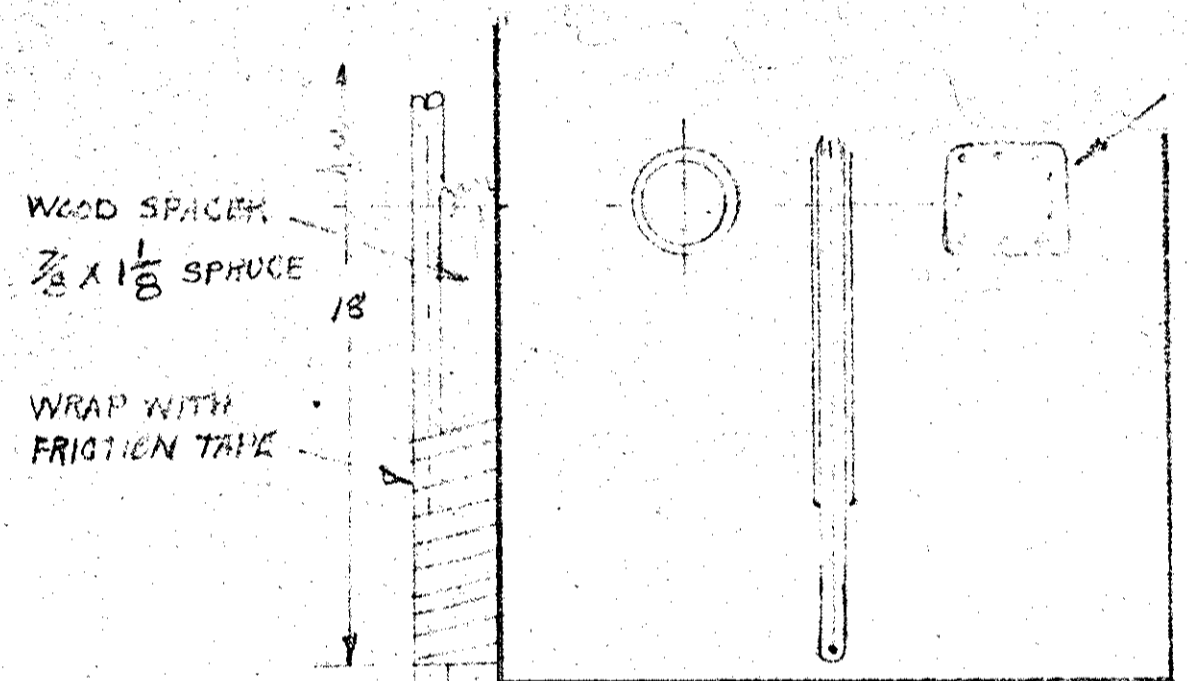
MAT.
.051 3003-0 OR 5052-0

AN 526-1032-24 SCREW (4)
AN 570-3 WASH. (4)
AN 365-1032 NUT (4)

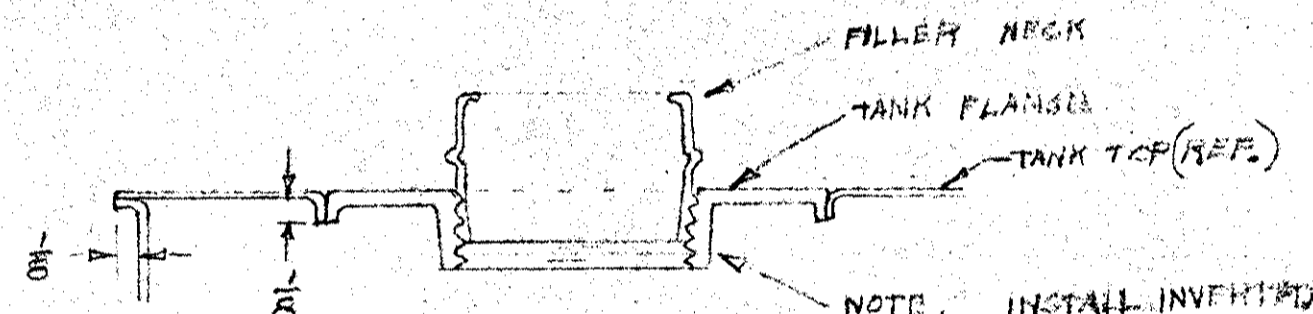


FUEL SYSTEM LAYOUT
(NOT TO SCALE)

NOTE - AN817-6D NUT
USED ON ALL FT65
(18)



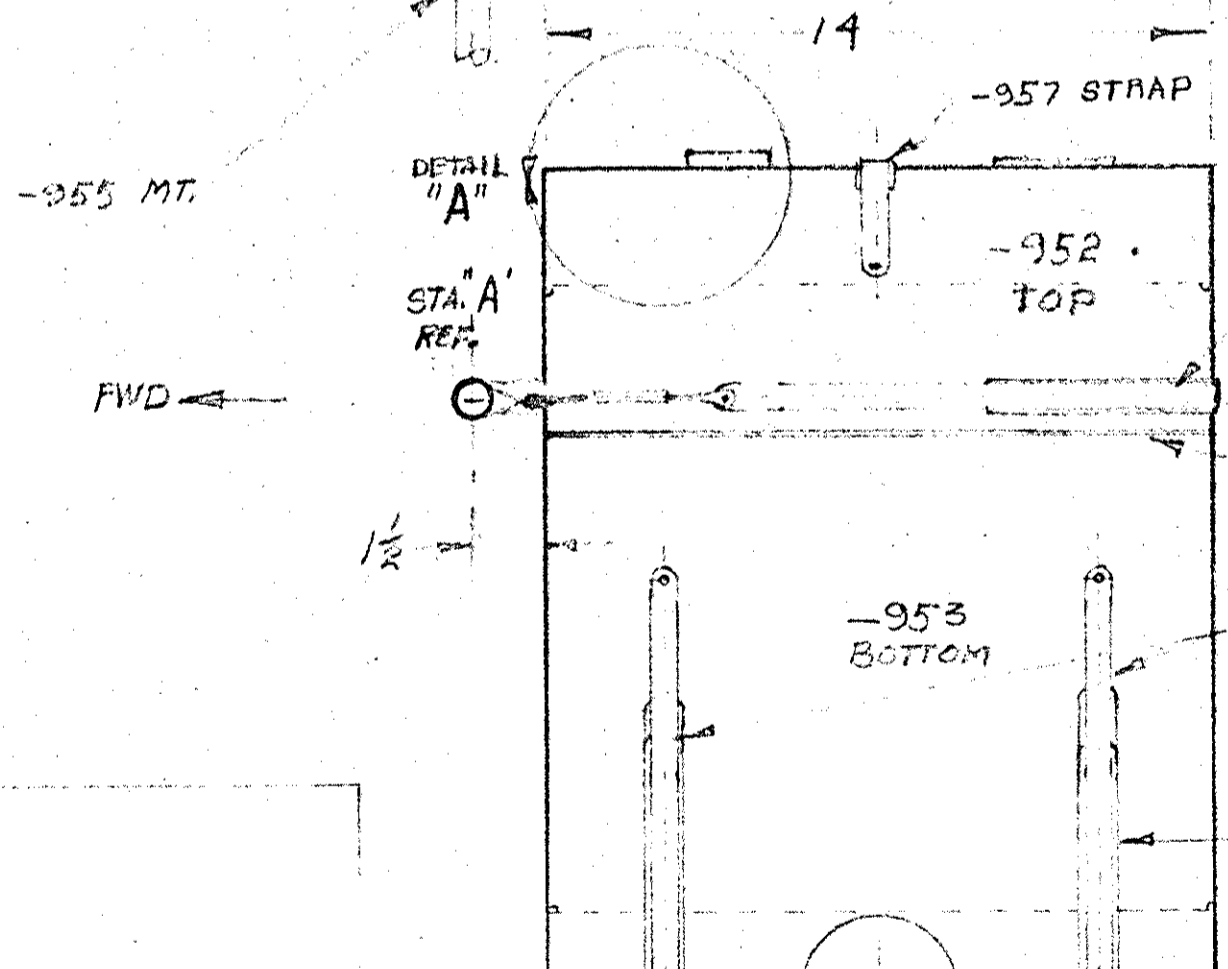
TOP VIEW



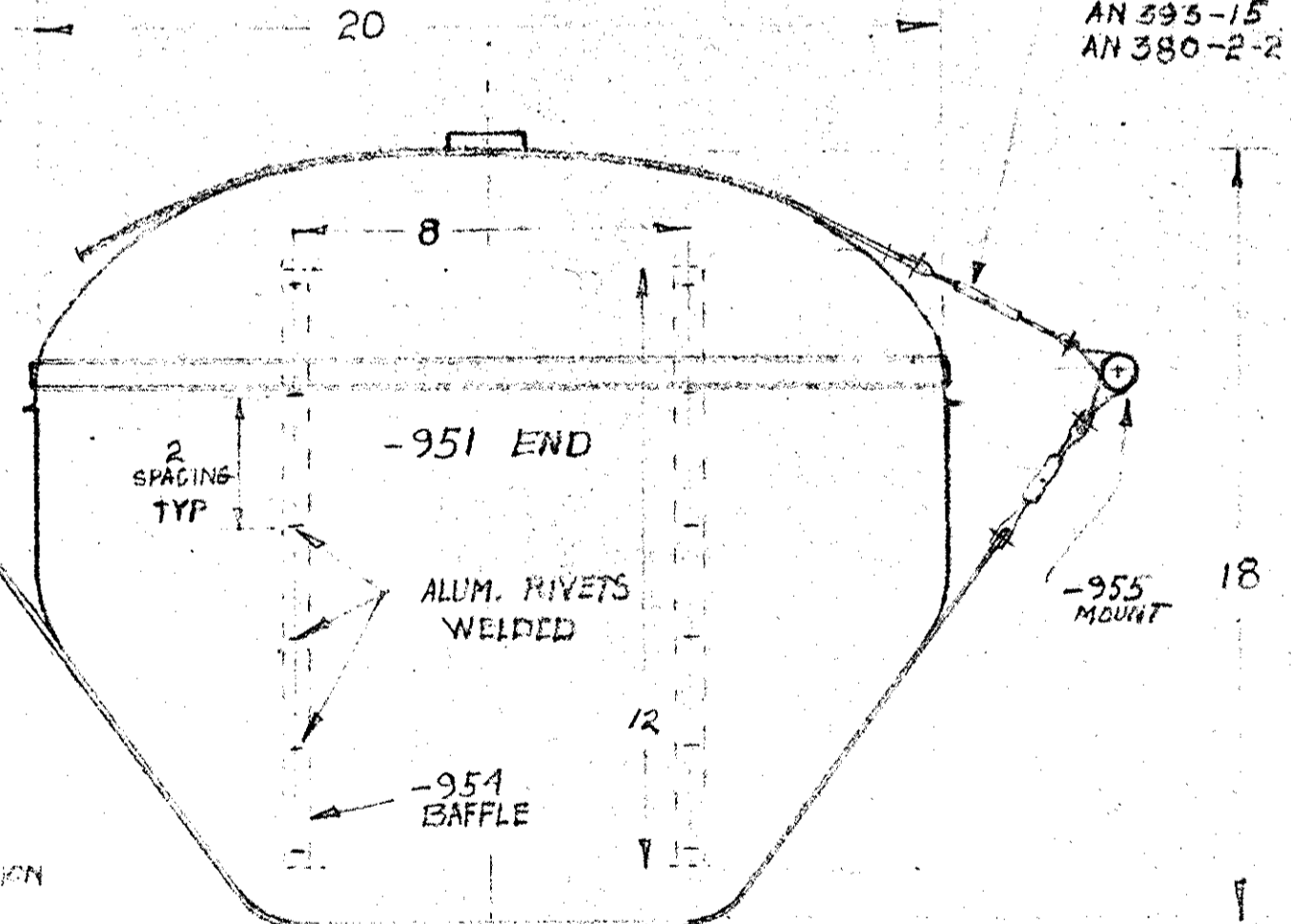
DETAIL "A"
ALL FILLER ASSEM.

TYP. ALL SEAMS
TO BE WELDED
GAS OR HELIUM

TURNBUCKLE
AN 150-165 (8)
AN 595-15 (16)
AN 380-2-2 (16)



SIDE VIEW



REAR VIEW

-950
TANK ASSY.
FUSELAGE
1 REQ.

MAT.
.051 3003-0 OR 5052-0
ALUM.

NOTES - PRESSURE TEST TO 3 P.S.I.

= COAT INSIDE OF TANK
WITH SLUSHING COMPOUND

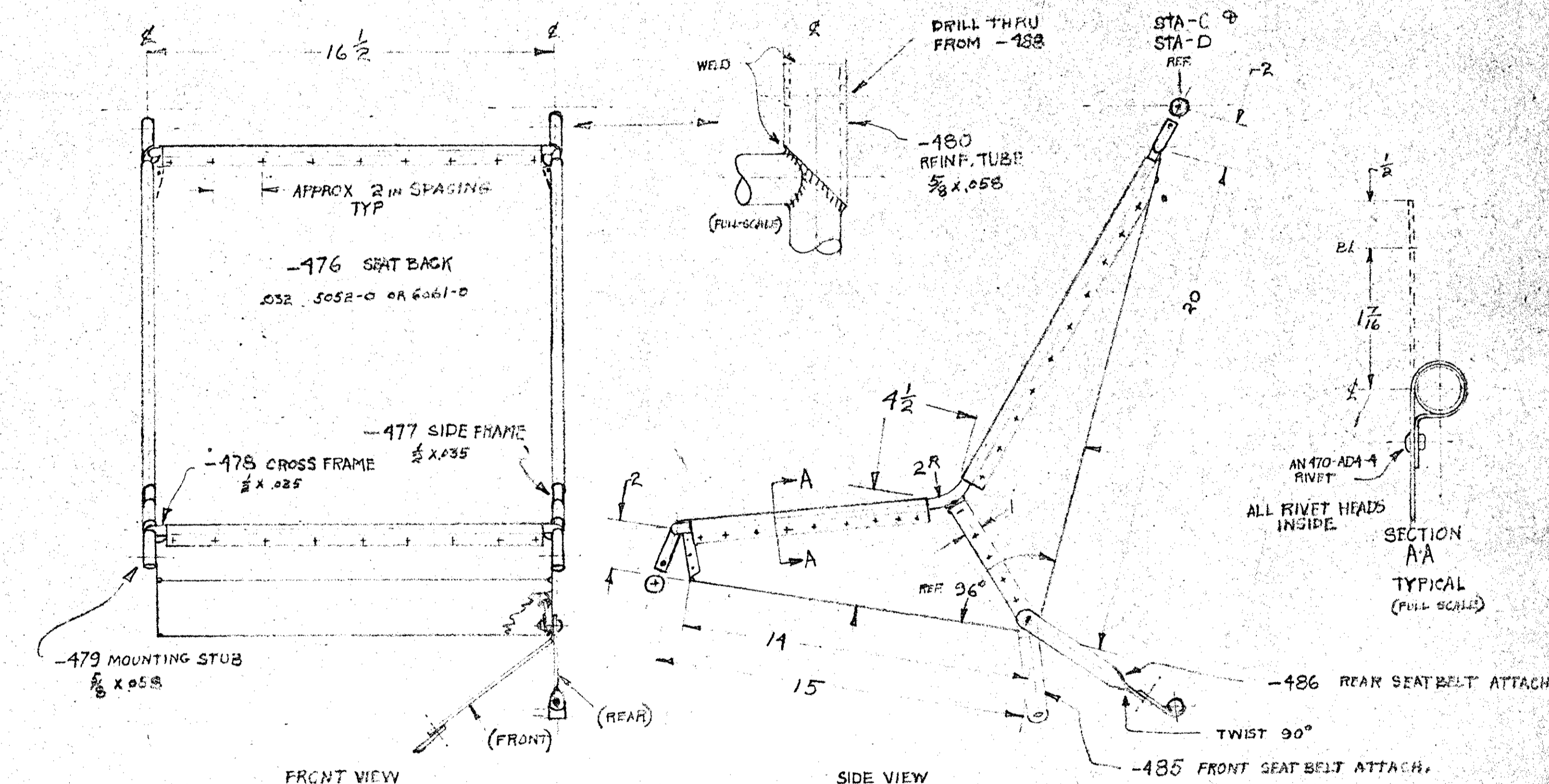
= DIMENSIONS SHOWN WILL
GIVE CAPACITY OF APPROX.
18 GALS. U.S.

SUGGEST TANK MOCK-UP OF
CARDBOARD TO CHECK CONTOUR
AND CLEARANCES.

3" = 1"

DETAIL "B"
AN-867-2
TYP ALL OUTLETS

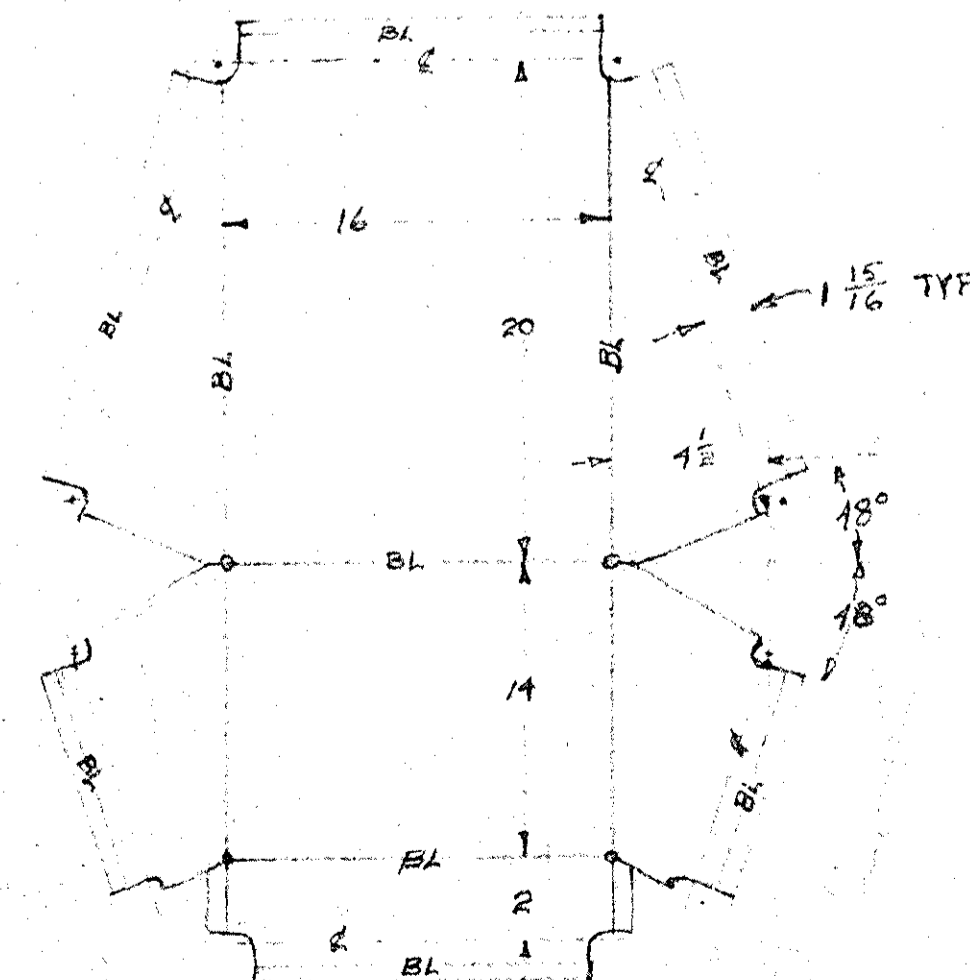
-955
TANK SUPPORT MOUNT
8 REQ
.045 4130



FRONT VIEW

SIDE VIEW

-476
SEAT ASSY.
2 REQ
3" = 1"



-476
FLAT PATTERN LAYOUT
(NOT TO SCALE)

SUGGEST CARDBOARD
PATTERN BEFORE CUTTING
ALUMINUM

MARQUART MA-5 "Charger"		ED. MARQUART PO BOX 1032 RIVERSIDE, CAL 92509	
DRN.	DW	6-70	FUEL TANKS AND SEAT
CHK	EM	9-70	
REV	SW	2-74	
TR	4M	3-74	
PRINT SER. NO.	0236	SCALE: FULL PATTERN	
		SHEET: 20 OF	