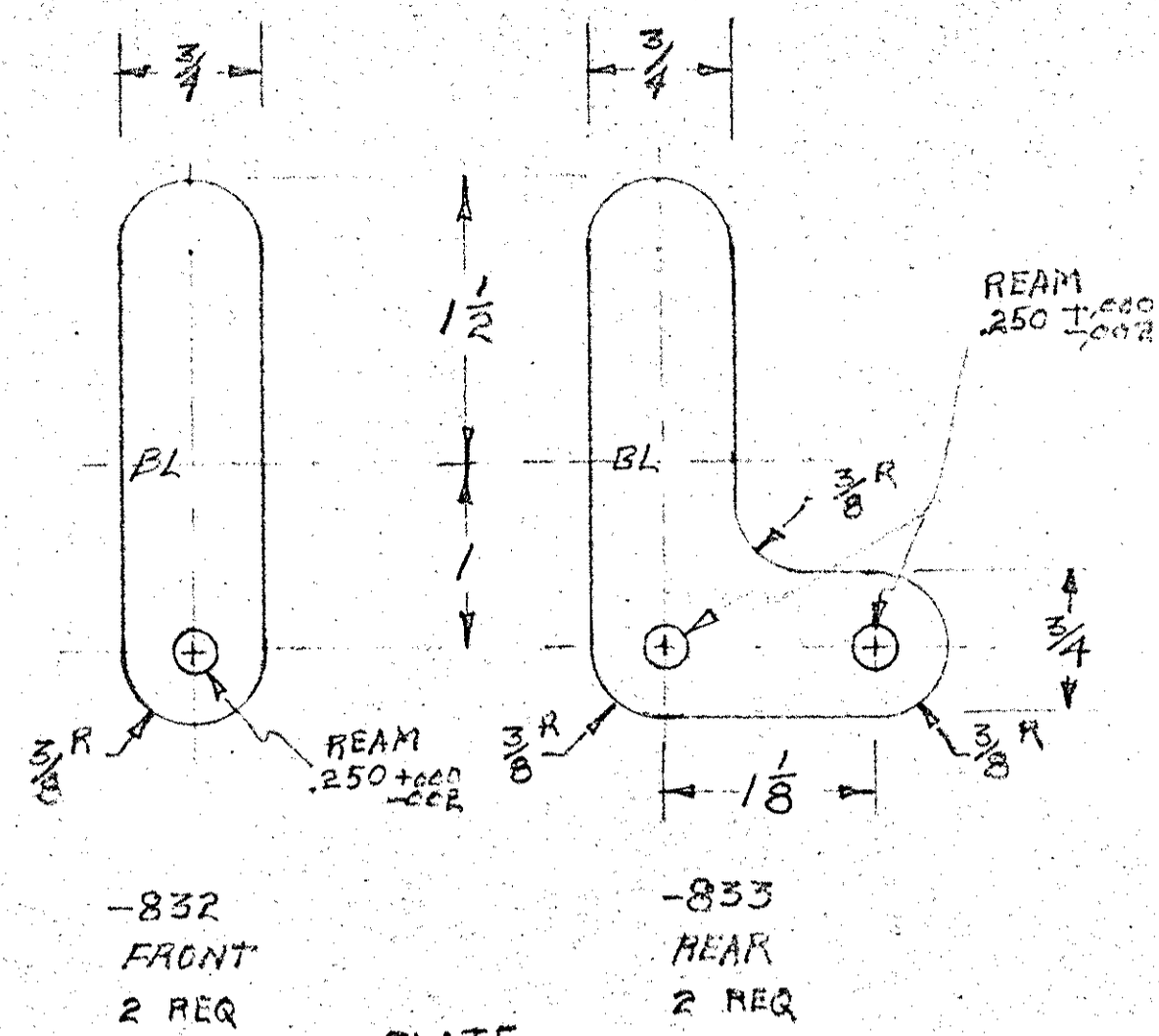
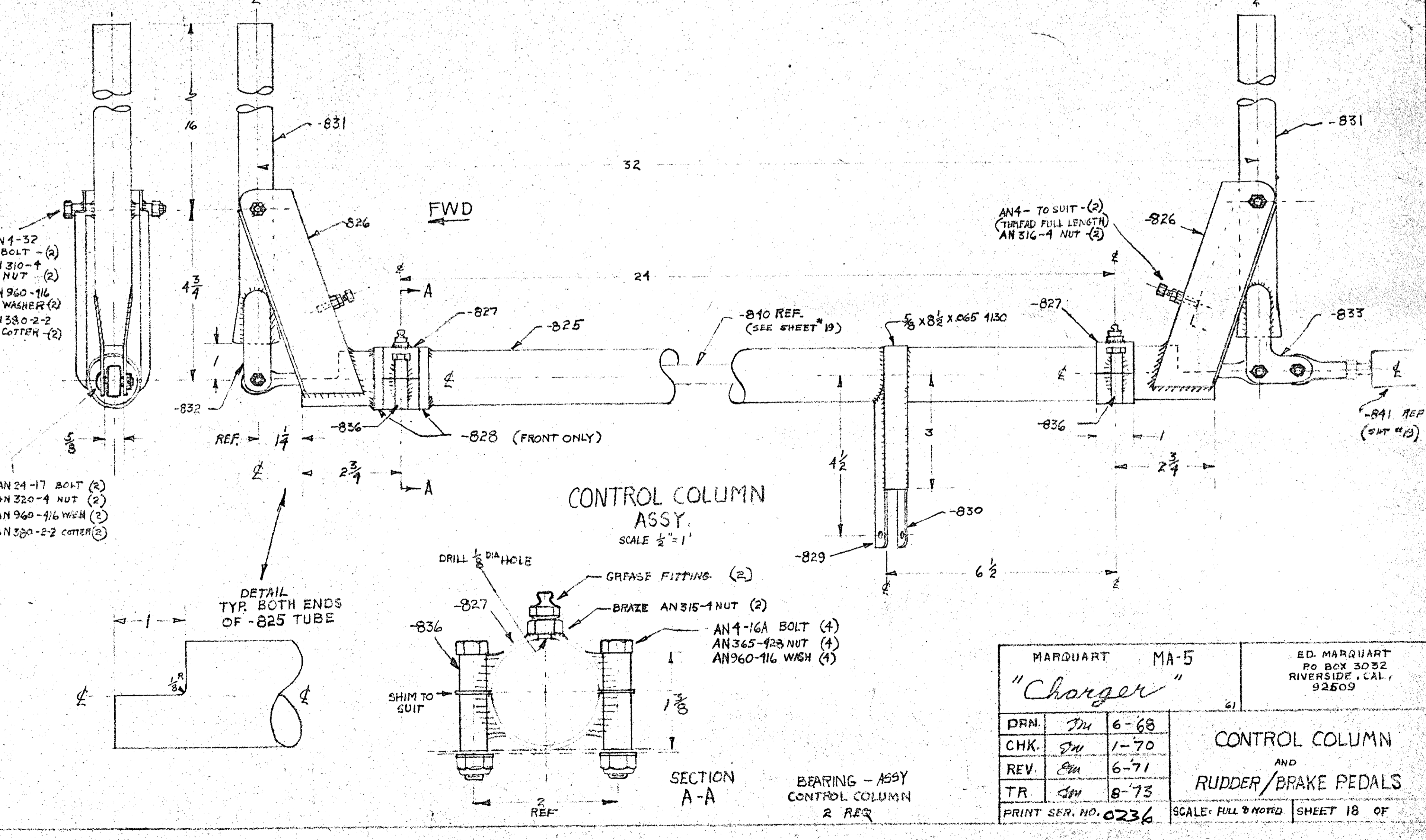
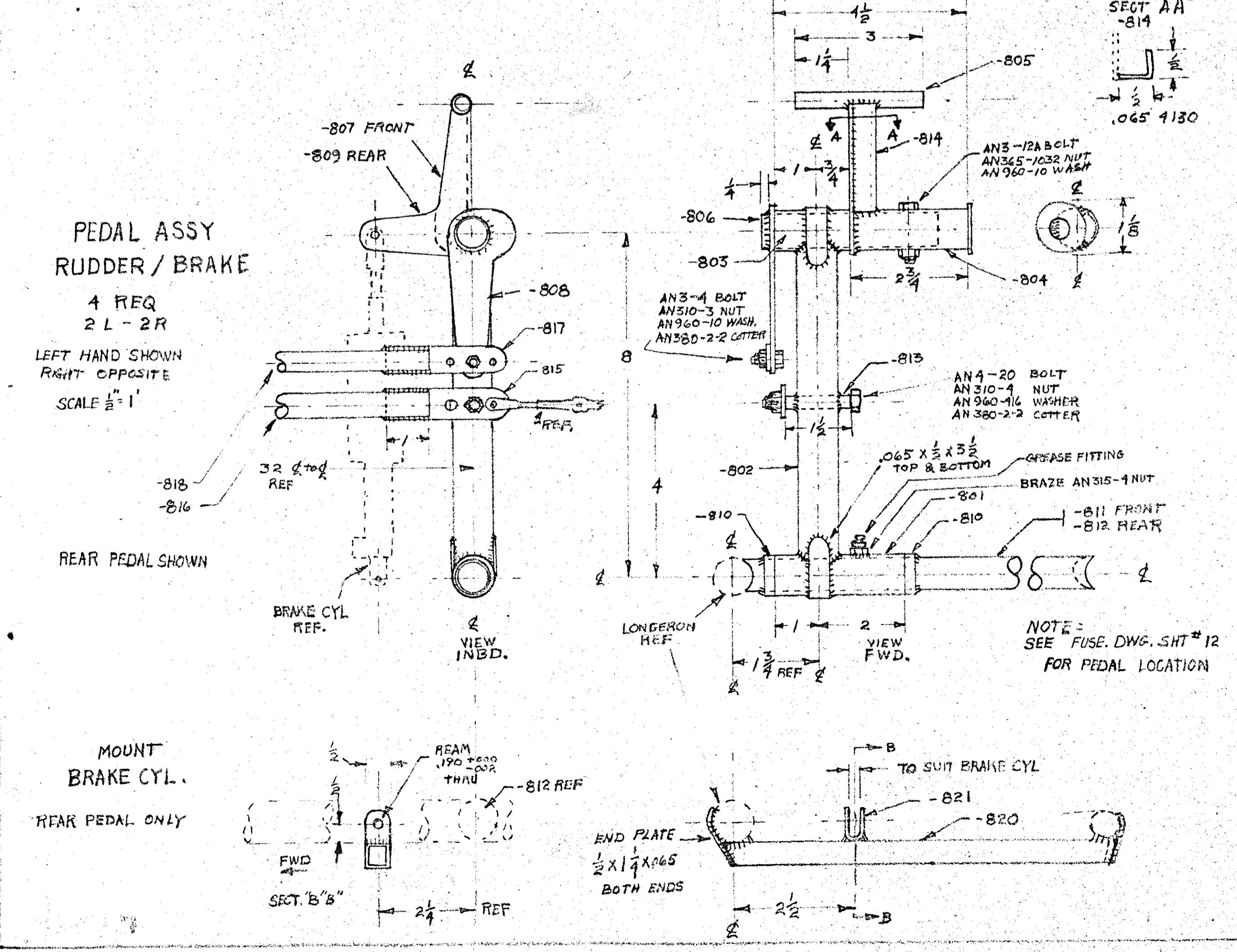
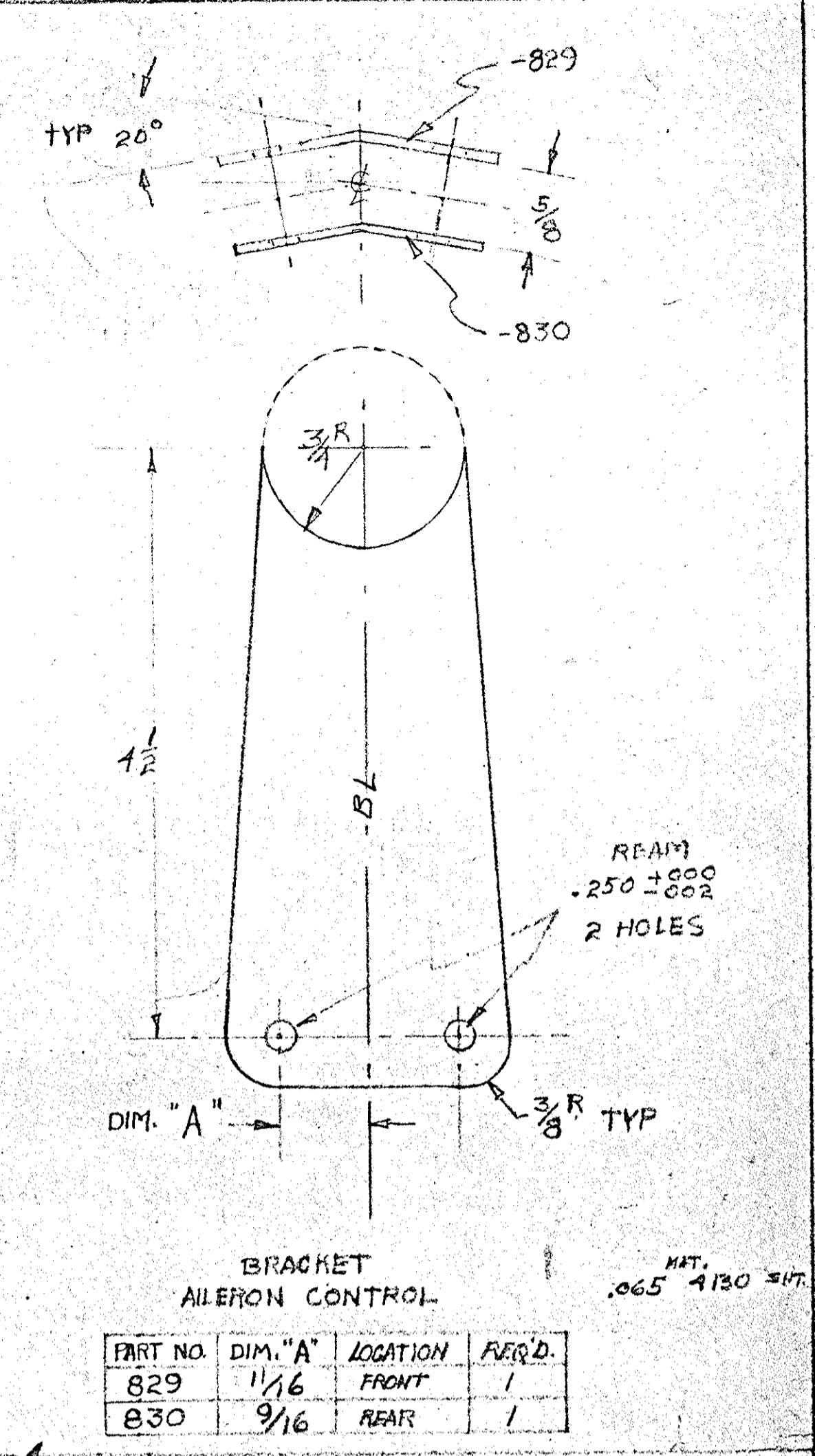
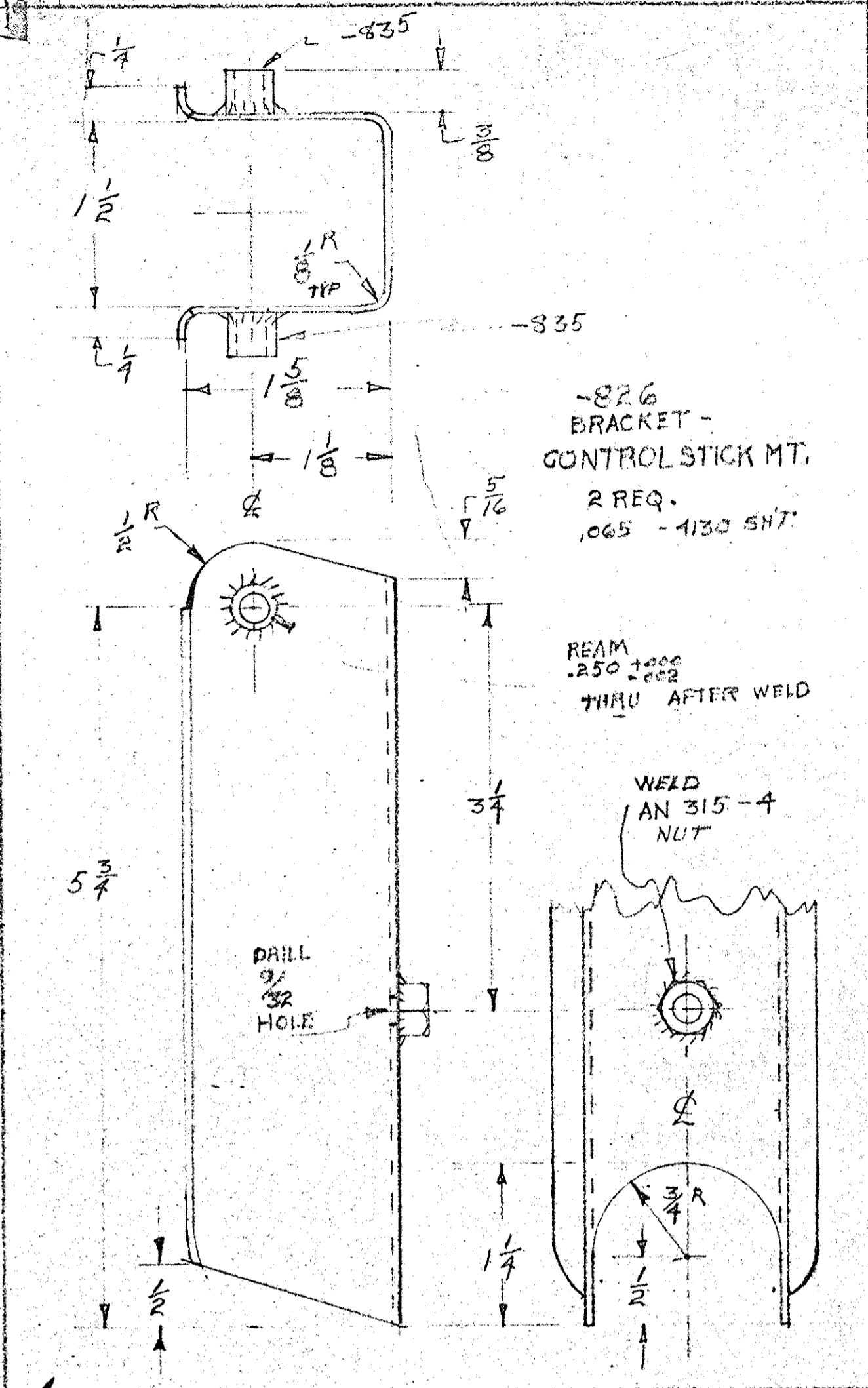
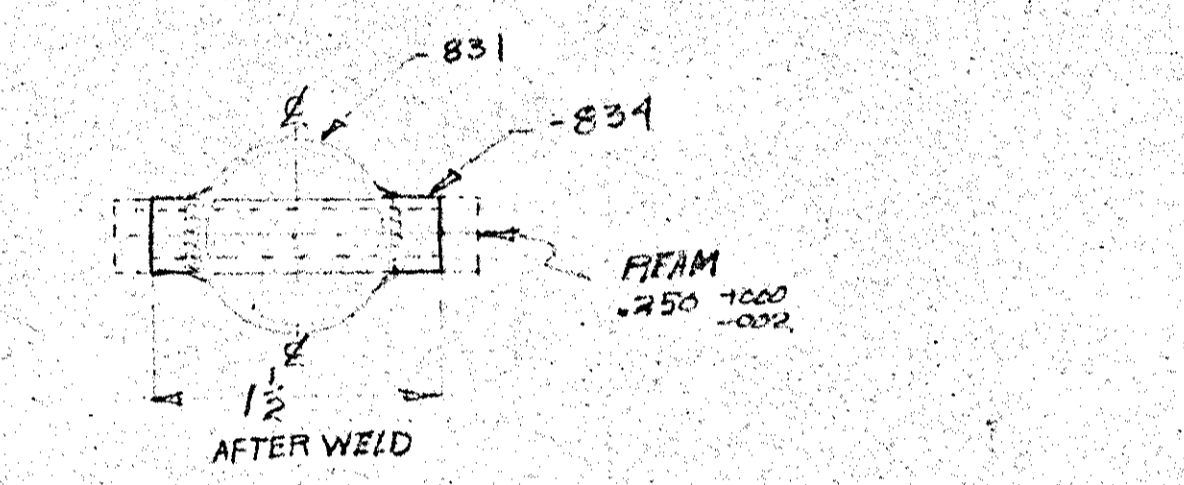


NOTE =  
REAM .190 ± .002  
2 REQ = 1 HOLE  
- USE AT REAR PEDAL LOCATION -



**PLATE CONTROL STICK**  
.090 - 1130 SHT



MARQUART MA-5		ED. MARQUART PO BOX 3032 RIVERSIDE, CAL., 92509	
<b>"Charger"</b>			
DRN.	JM	6-68	<b>CONTROL COLUMN AND RUDDER/BRAKE PEDALS</b>
CHK.	JM	1-70	
REV.	EM	6-71	
TR.	JM	8-73	
PRINT SER. NO. 0236		SCALE: FULL & NOTED SHEET 18 OF	