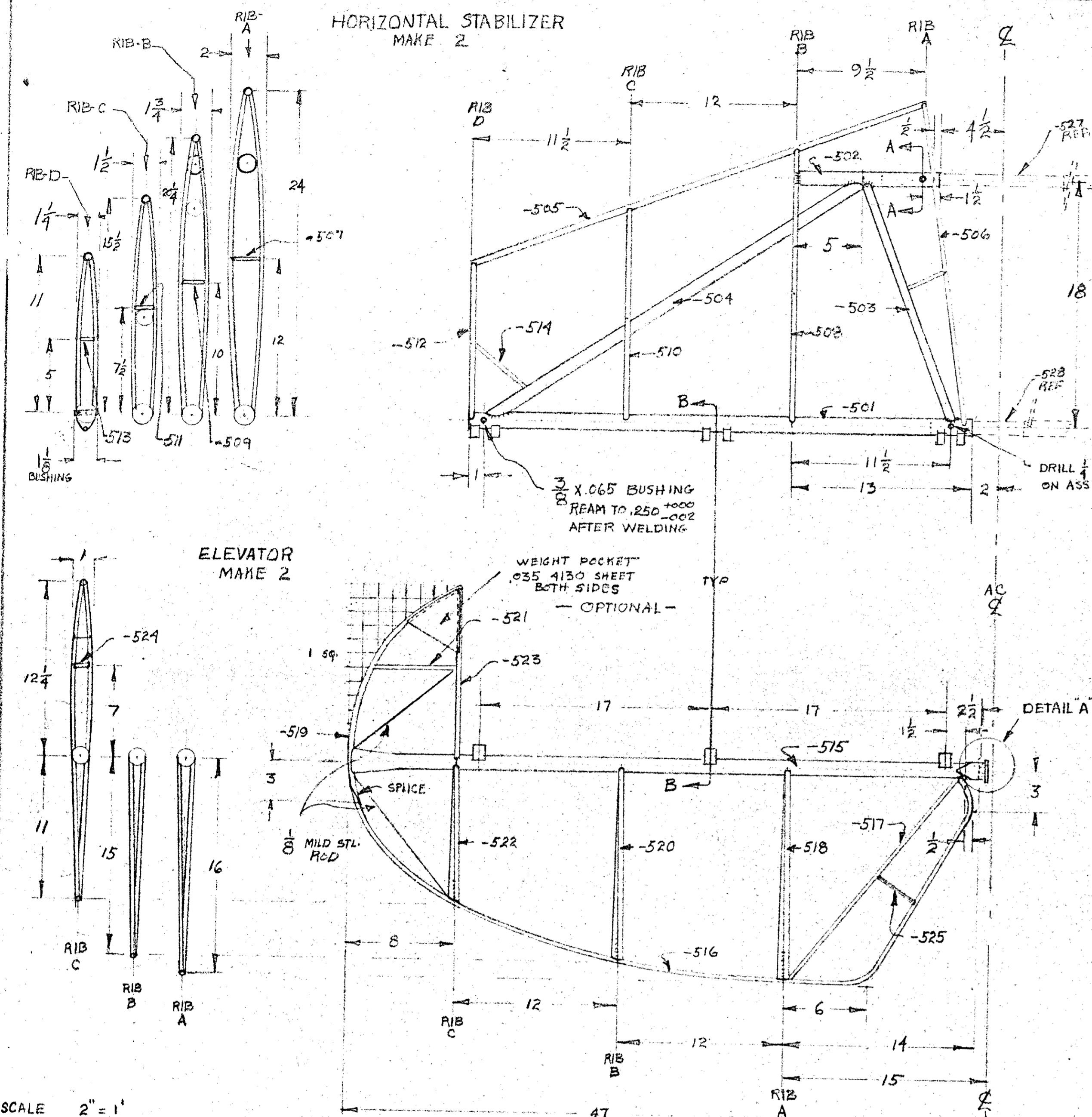
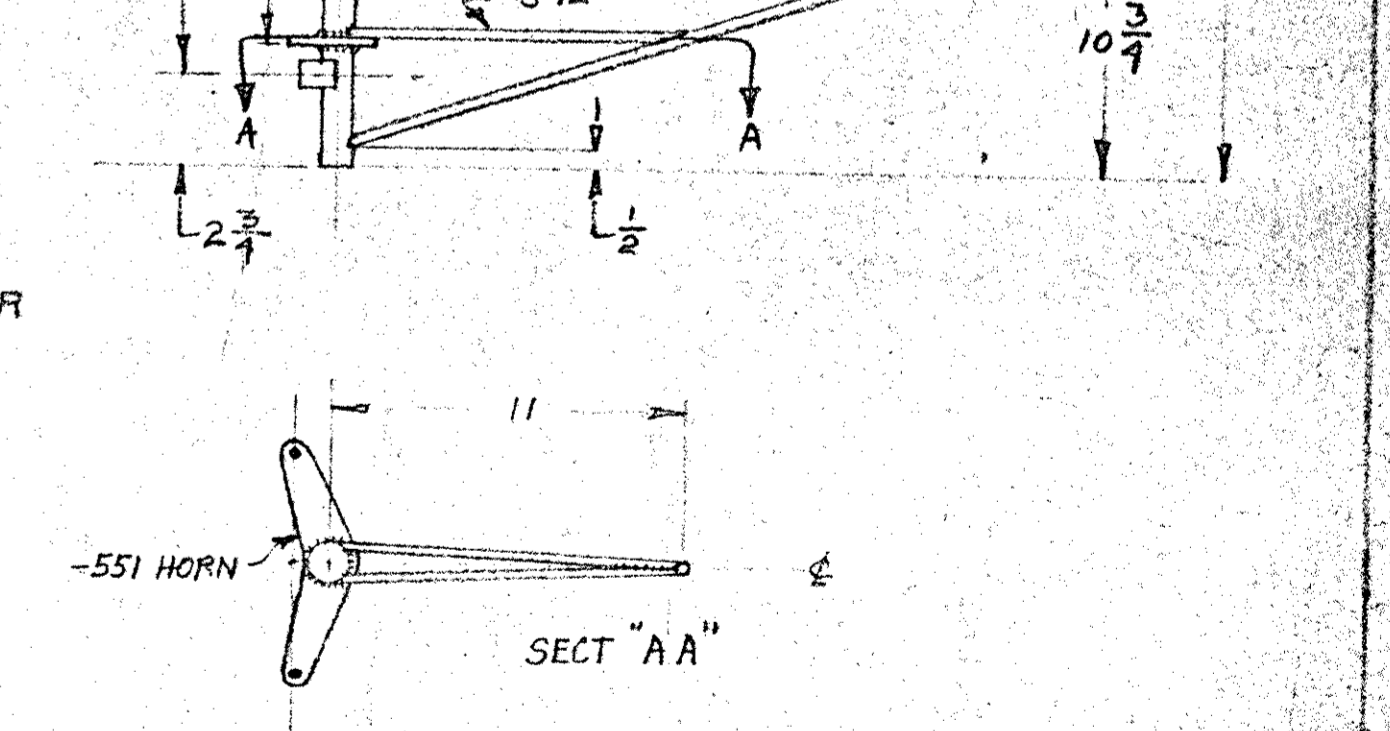
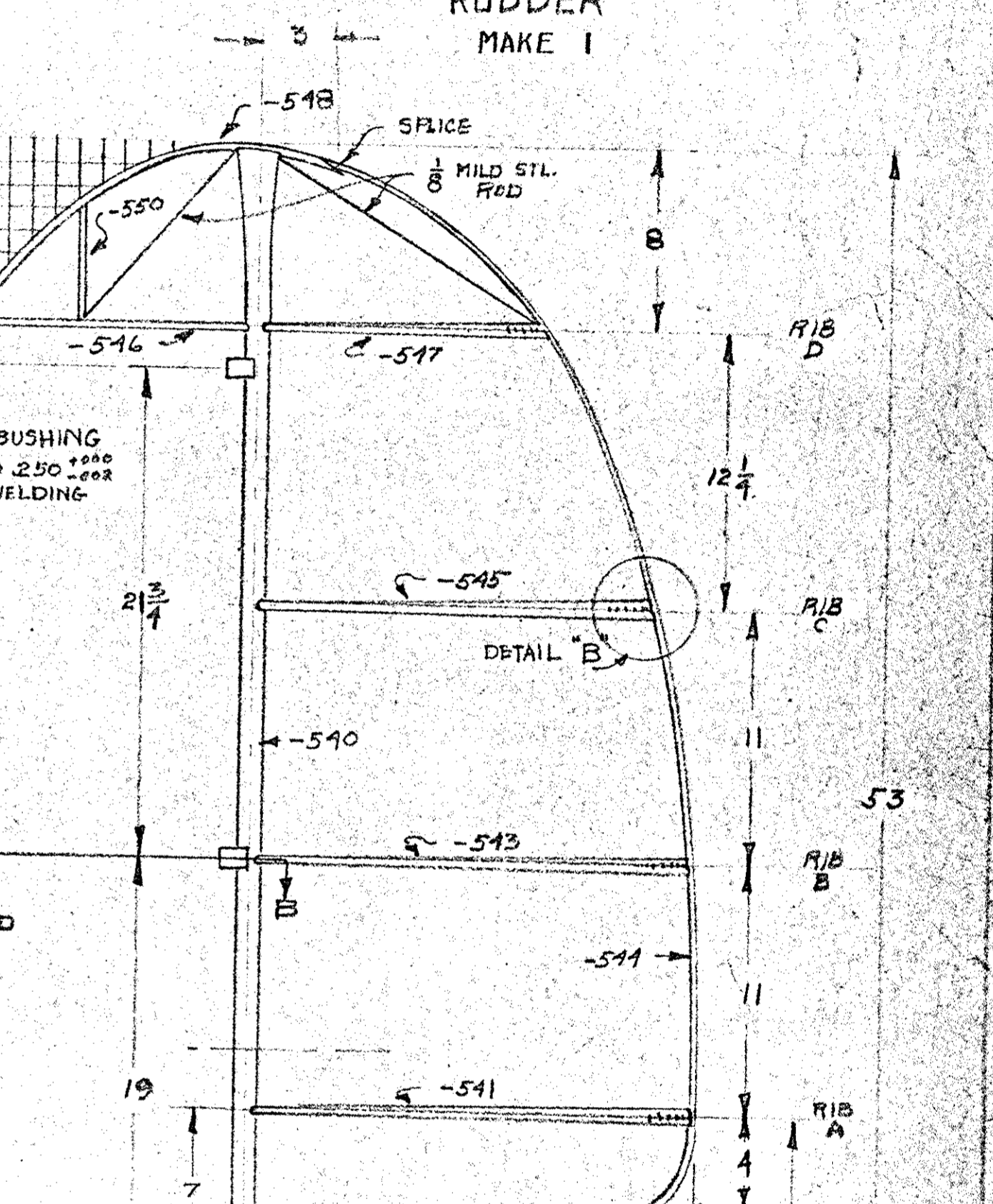
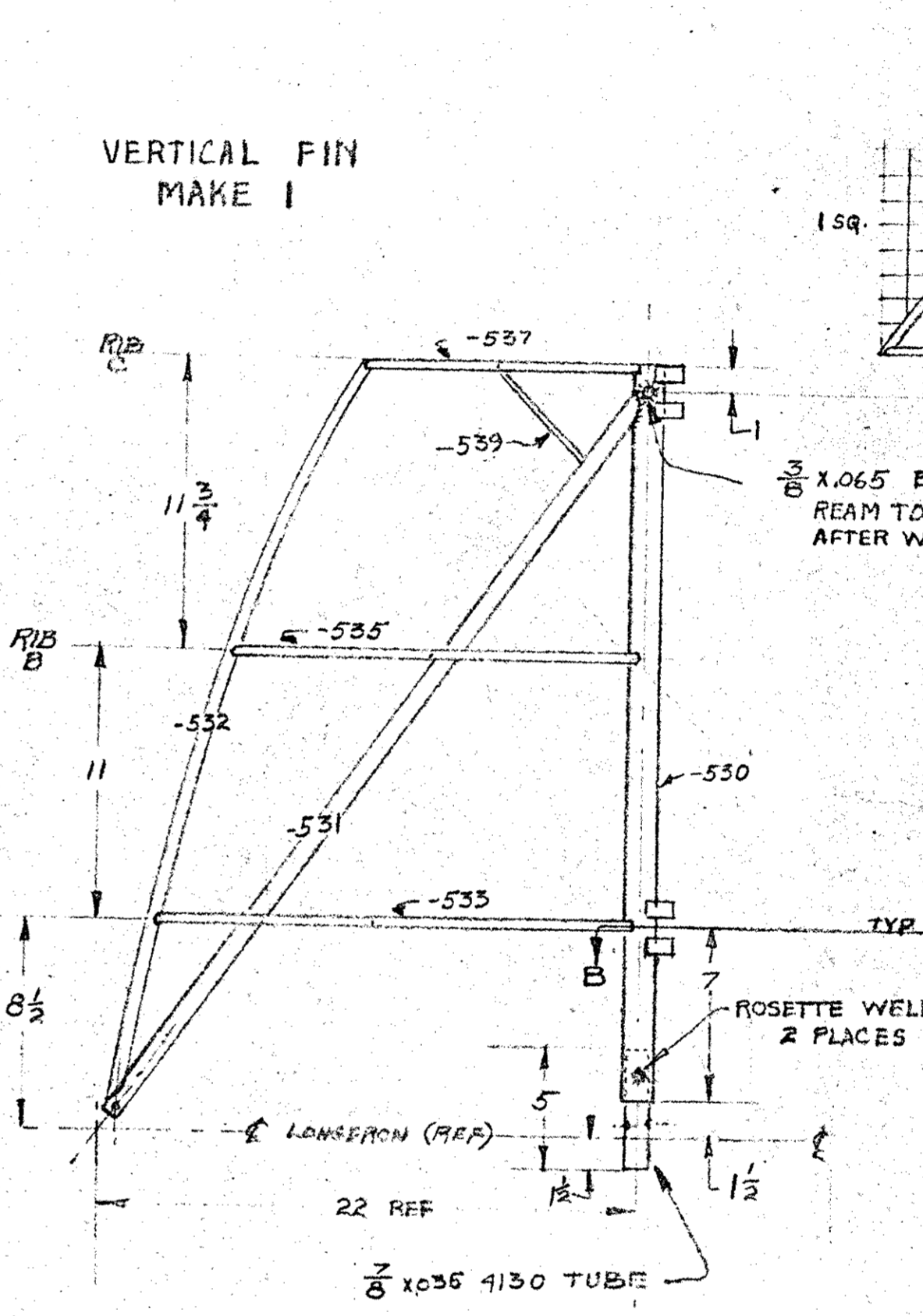
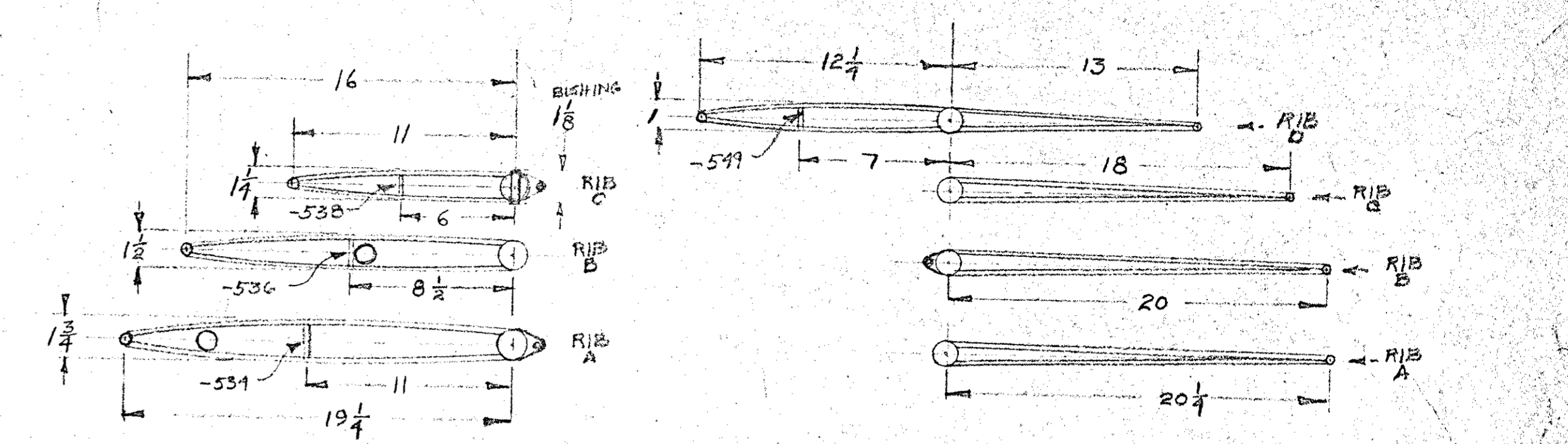
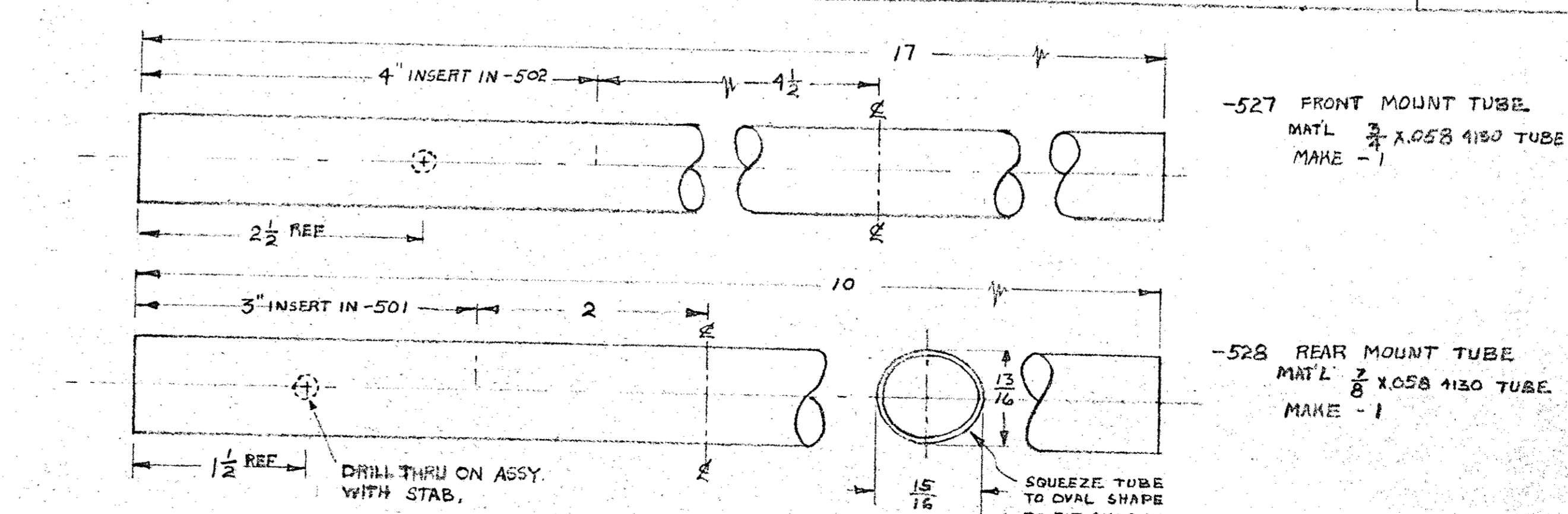
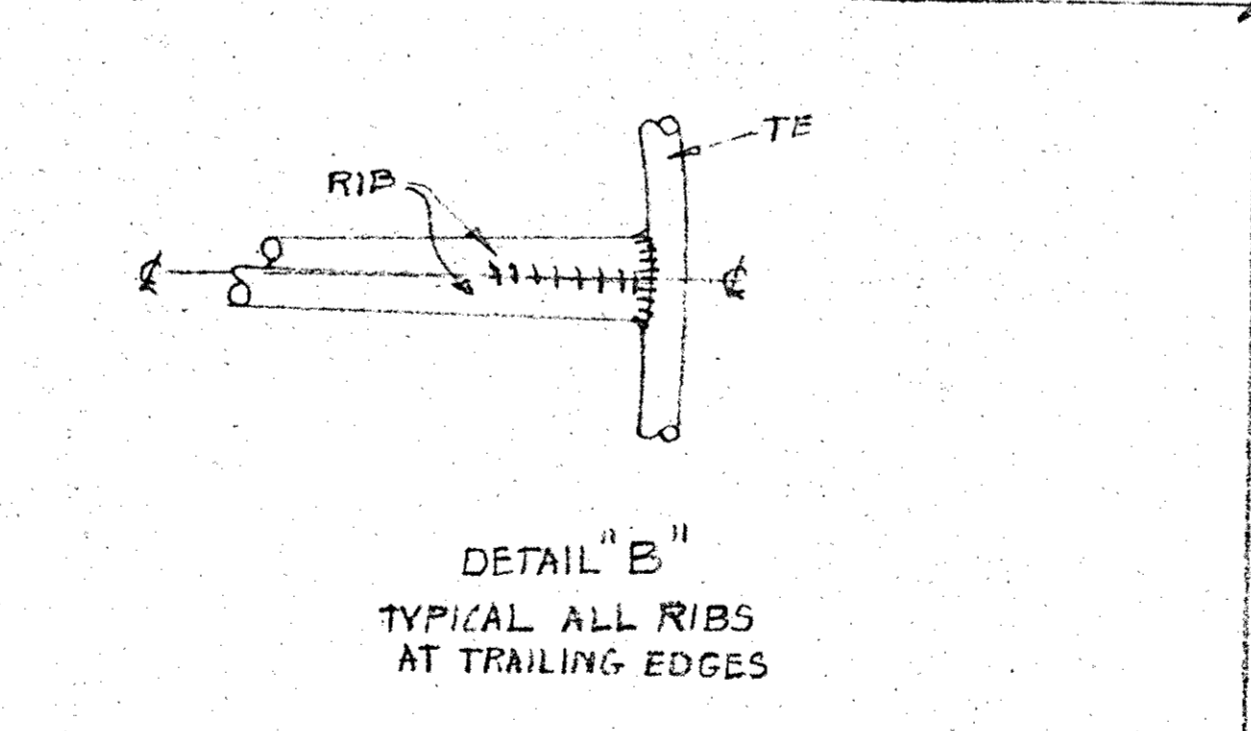
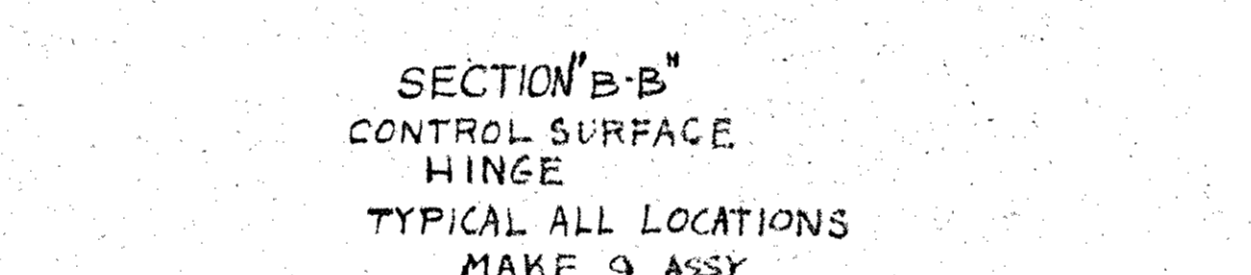
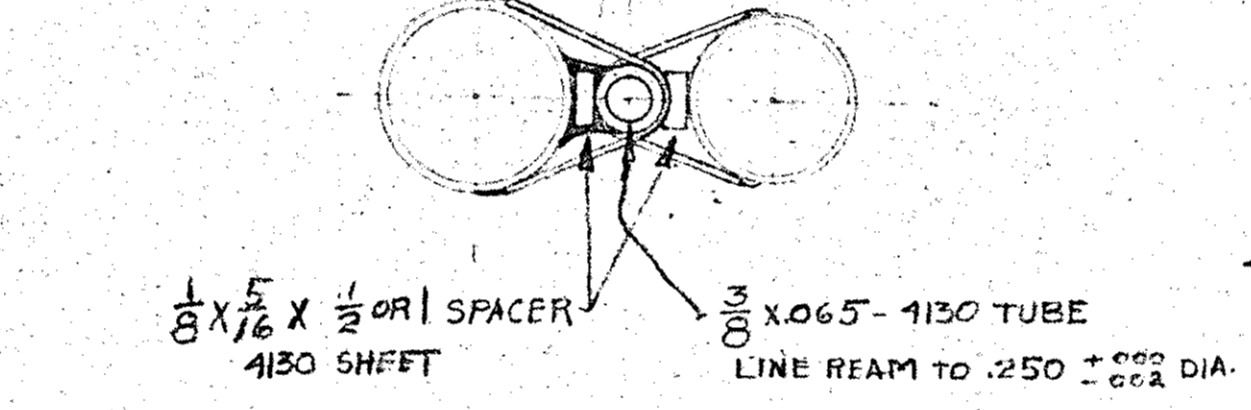
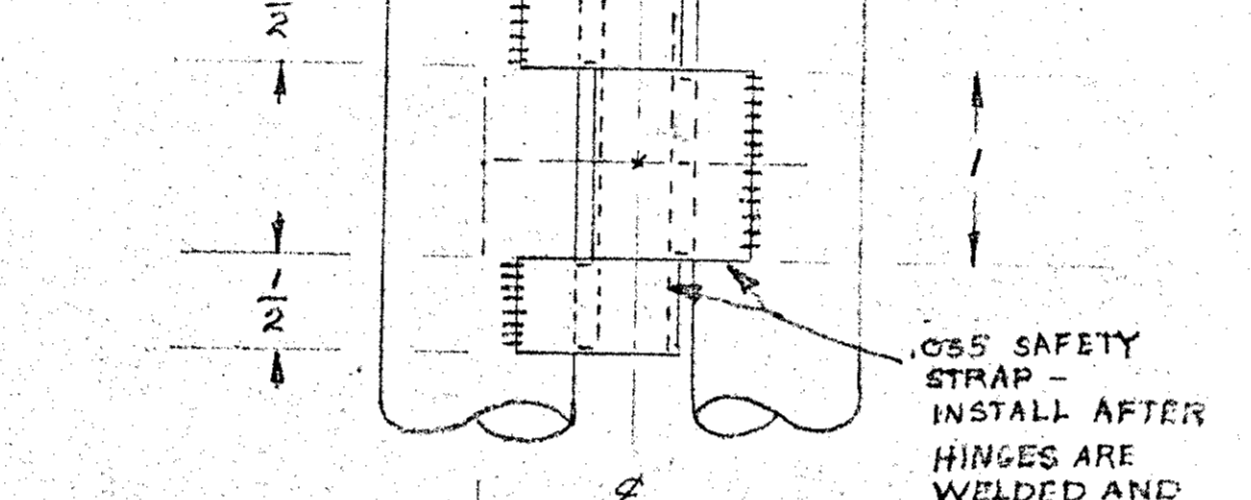
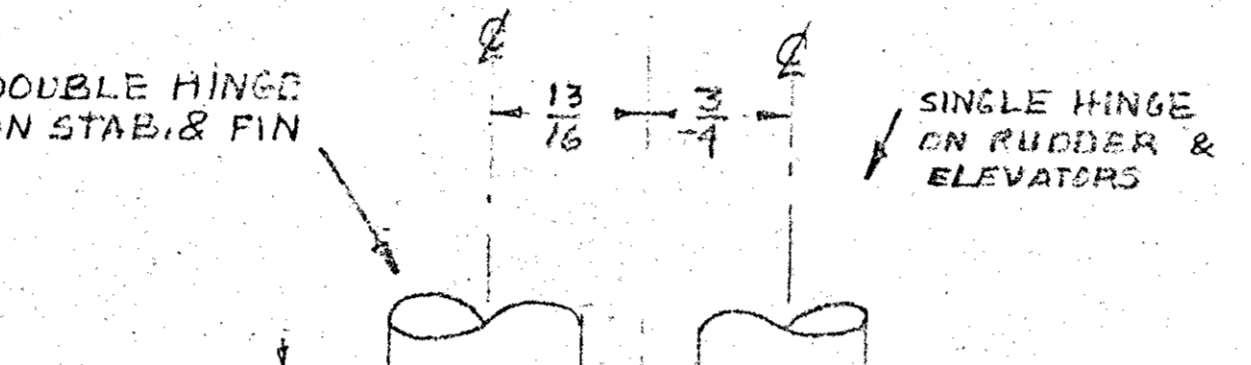
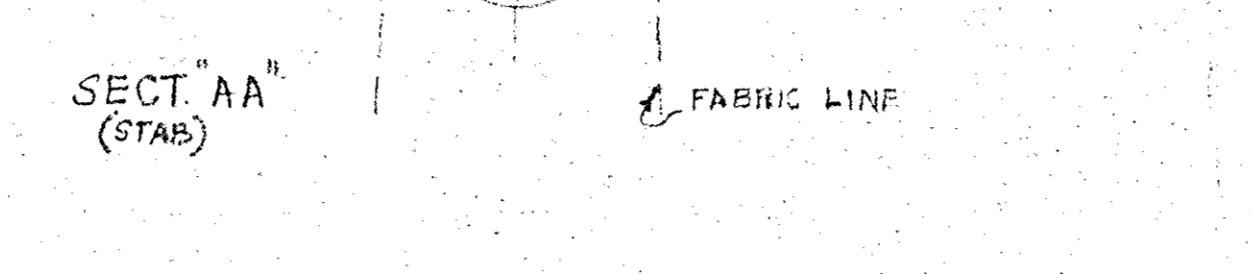
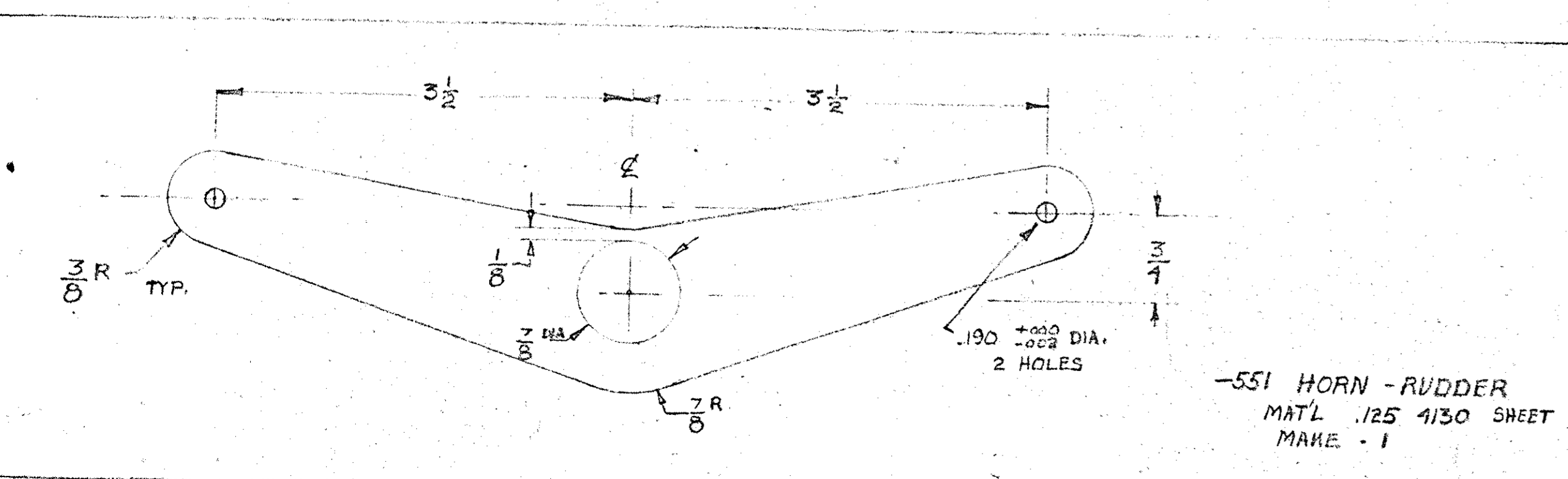
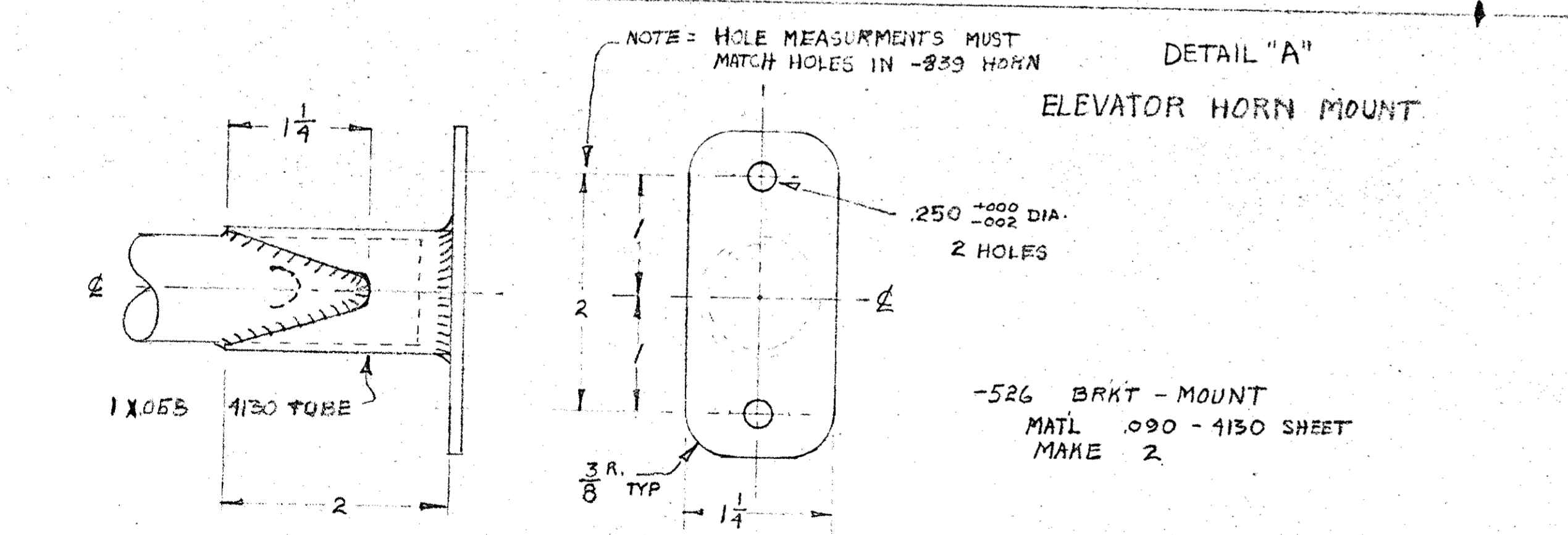


**HORIZONTAL STABILIZER
MAKE 2**



SCALE 2" = 1"



SCALE = 2" = 1"

MARGUART MA-5			ED MARGUART PO BOX 3032 RIVERSIDE, CAL. 92509	
"Charger"			CONTROL SURFACES	
DRN.	7/4	8-66	CHK.	6/4 1-70
REV.	6/4	6-71	TR.	6/4 3-72
PRINT SER. NO.	1726	SCALE 2" = 1" & FULL	SHEET 17 OF	