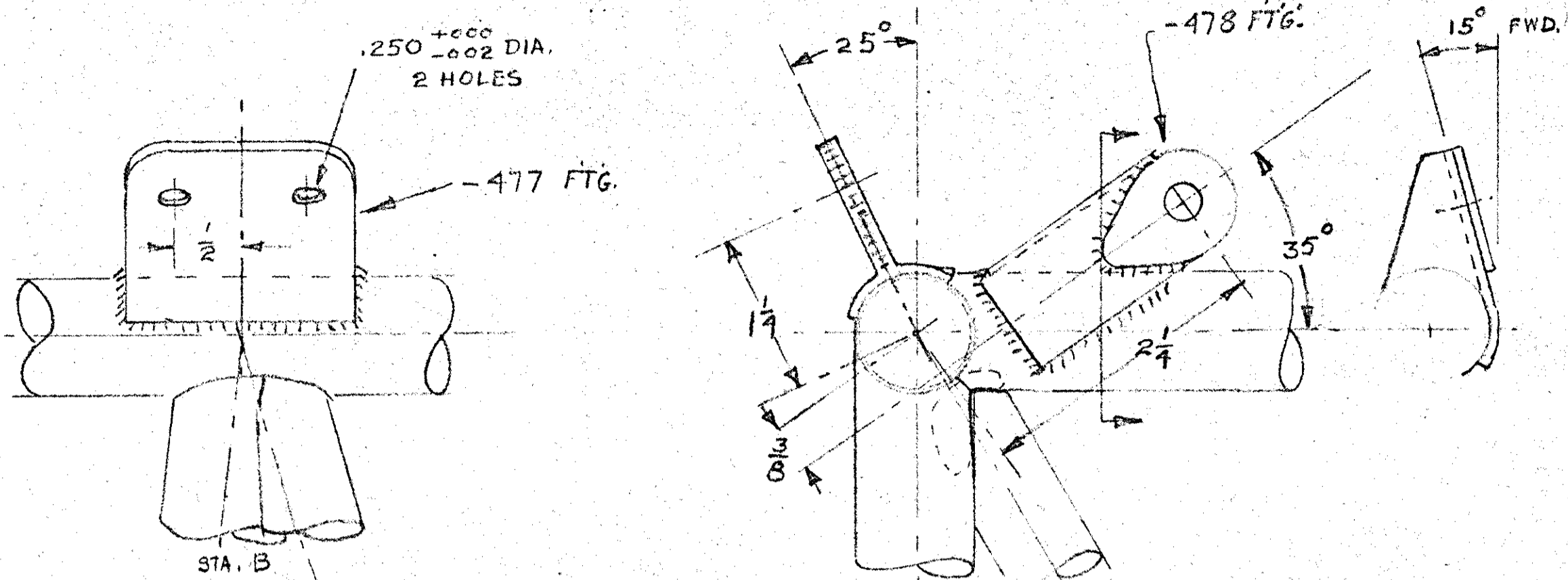
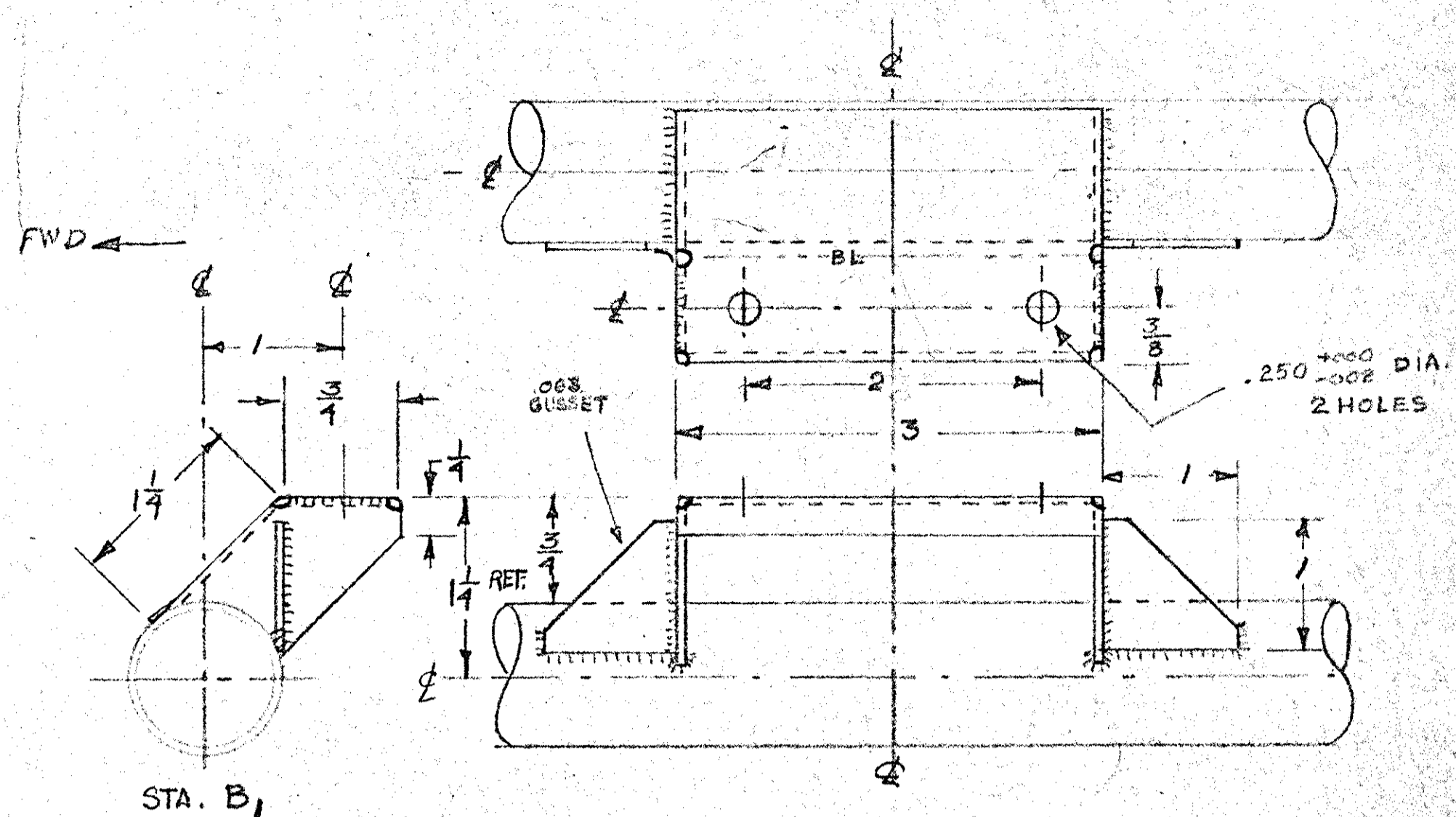


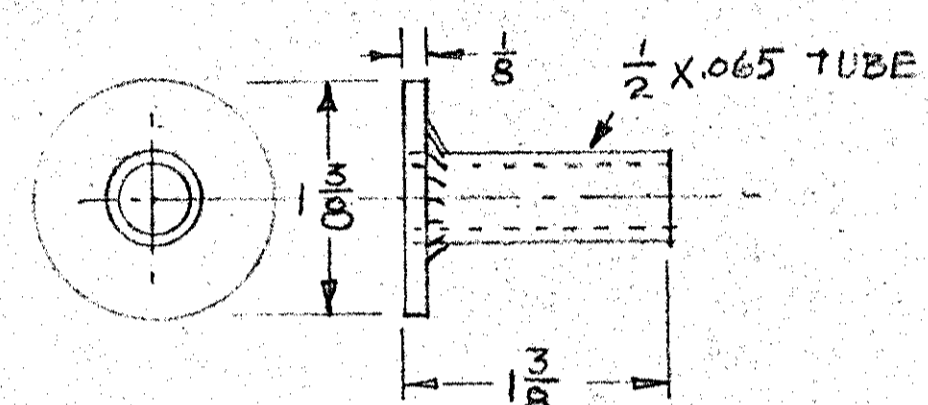
DETAIL "A"  
CABANE FTG ASSY - FRONT  
- SHEET 11 -



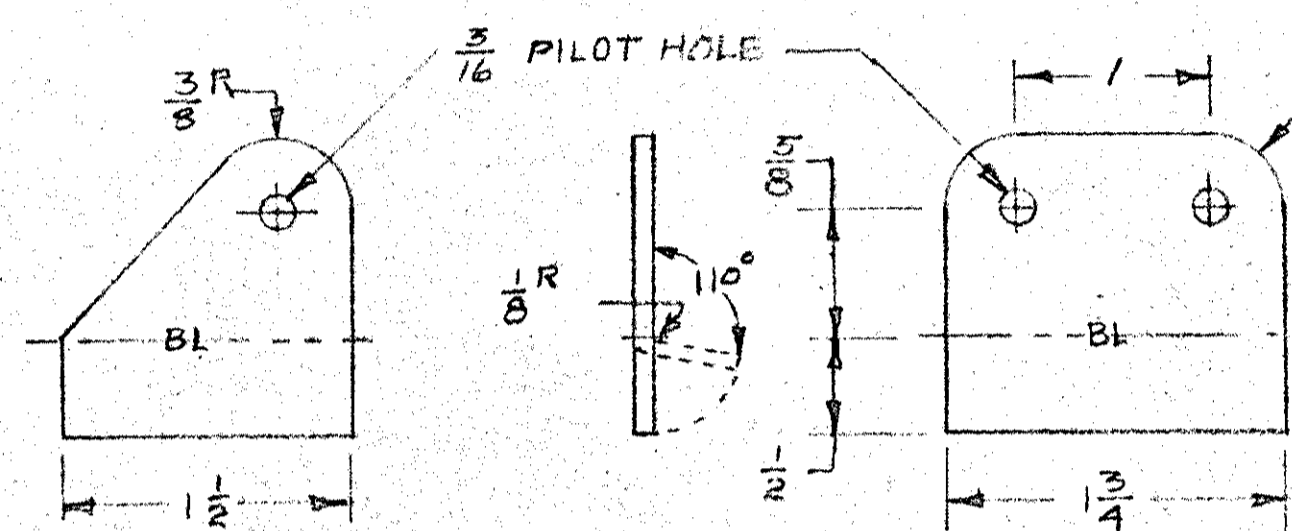
DETAIL "B"  
CABANE FTG. ASSY - REAR  
- SHEET 12 -



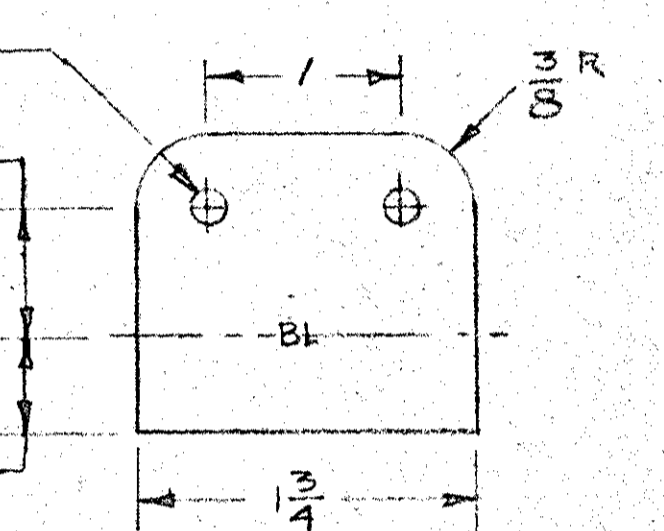
DETAIL - "D" - SHEET 12 -  
- 482 CONTROL COLUMN SUPPORT - FWD  
MATL - .065 4130 SHEET  
MAKE - 1



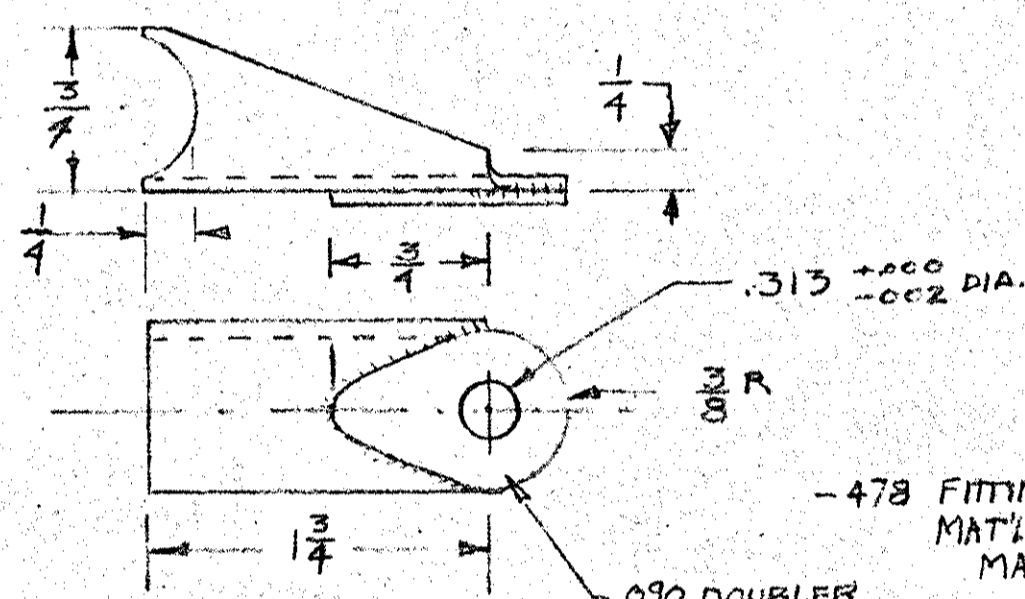
-475 FITTING - ENGINE MOUNT  
MATL (NOTED) 4130  
MAKE - 4



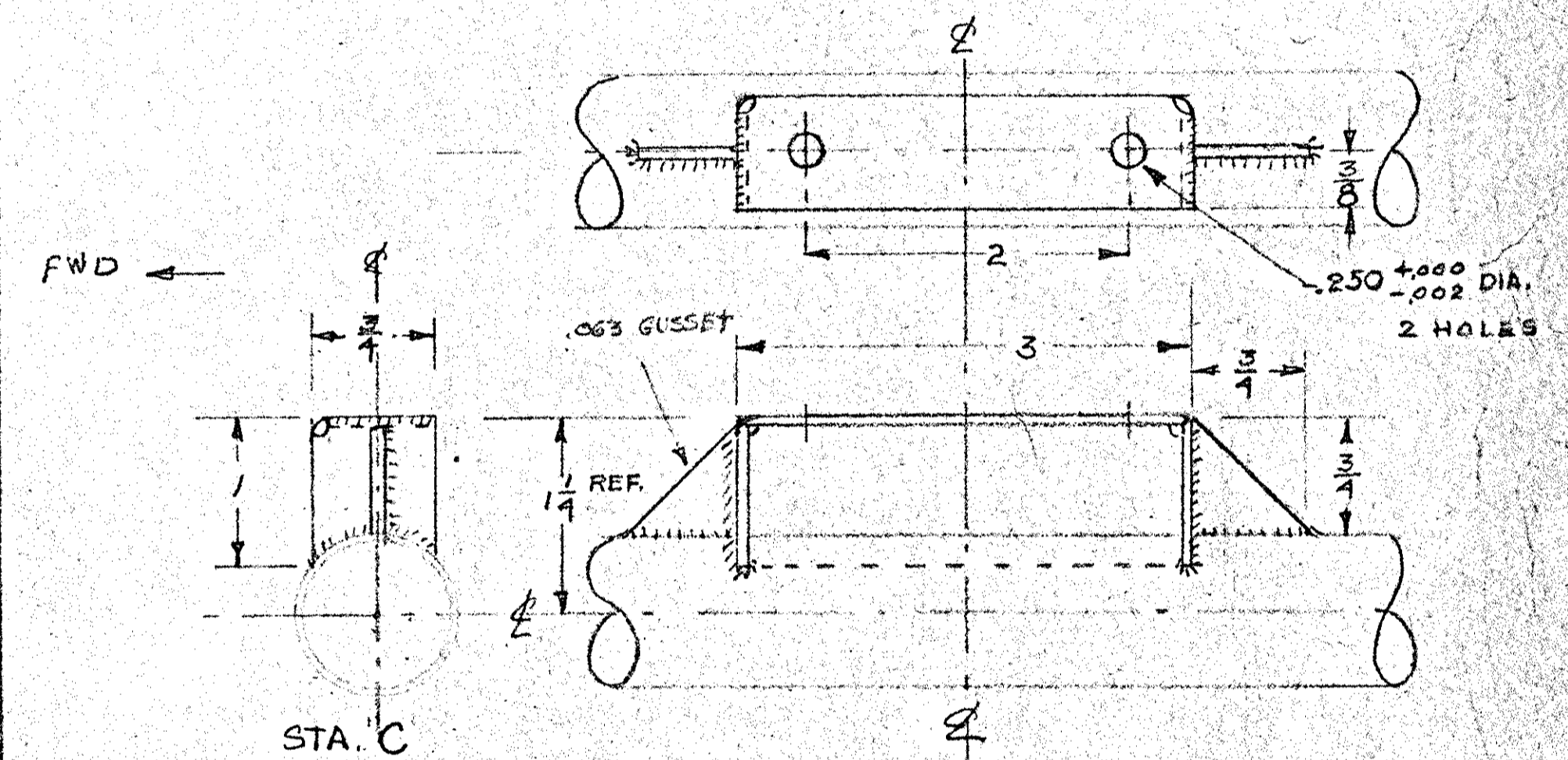
-476 FITTING - CABANE - FRONT  
MATL - .090 4130 SHEET  
MAKE - 4 (2 L.H & 2 R.H)



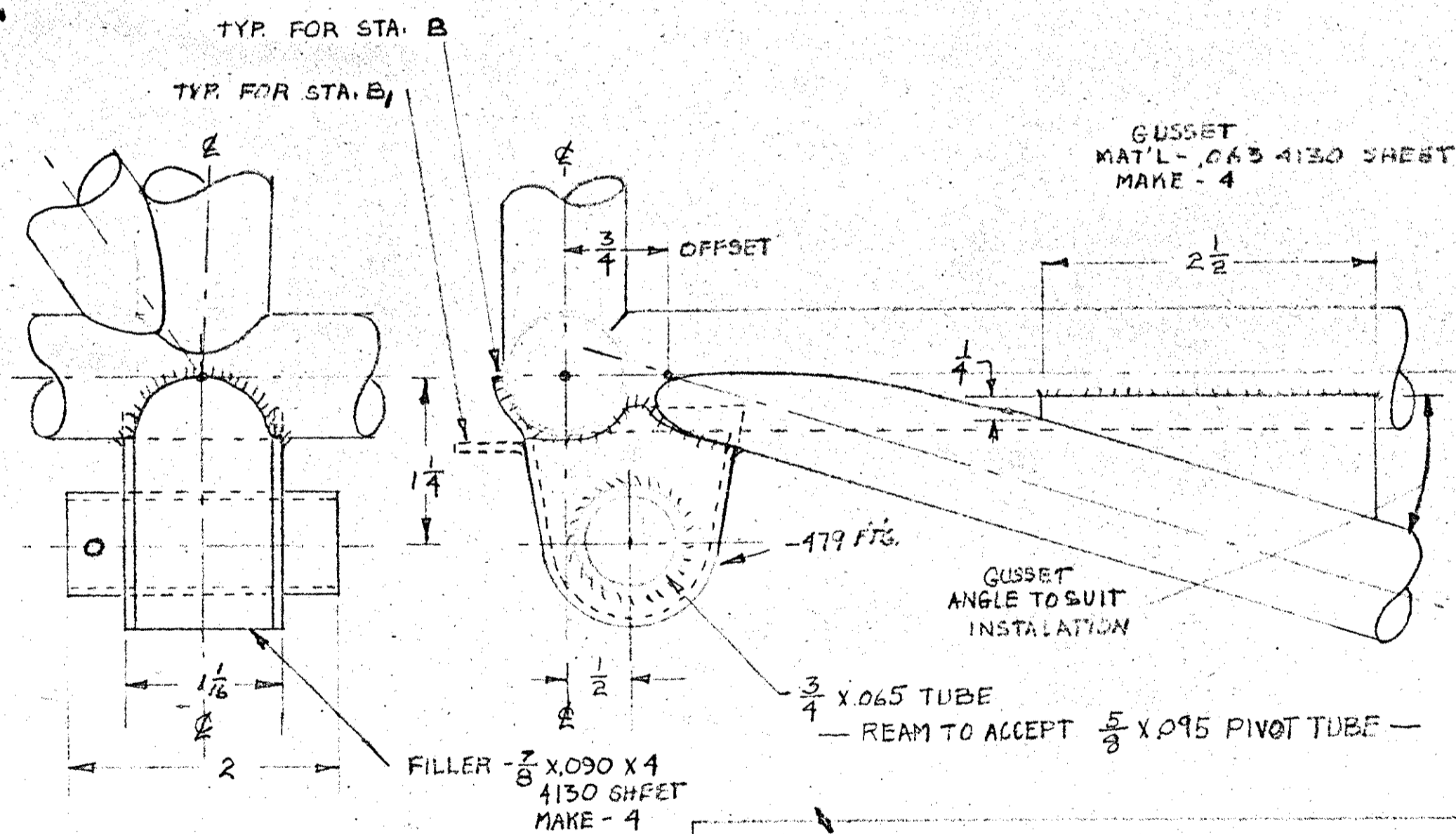
-477 FITTING - CABANE - REAR  
MATL - .090 4130 SHEET  
MAKE - 4



-478 FITTING - ROLL WIRE  
MATL - .090 4130 SHEET  
MAKE - 2

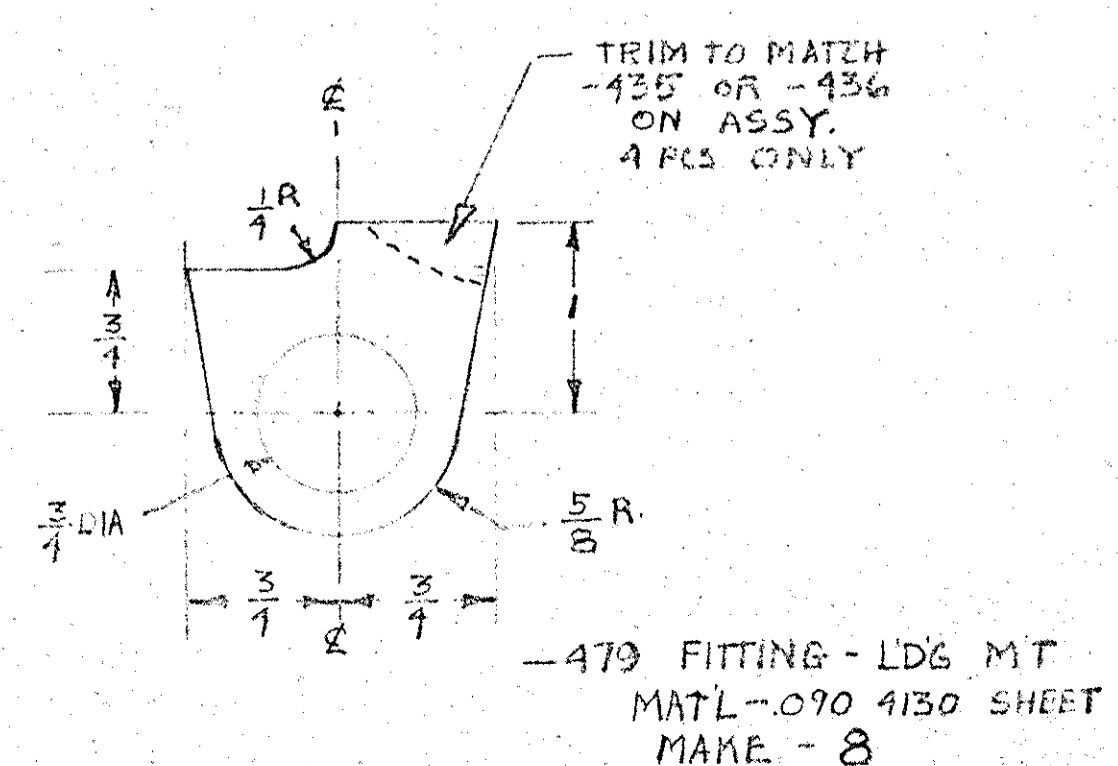


DETAIL - "F" - SHEET 12 -  
- 483 CONTROL COLUMN SUPPORT - AFT  
MATL - .065 4130 SHEET  
MAKE - 1

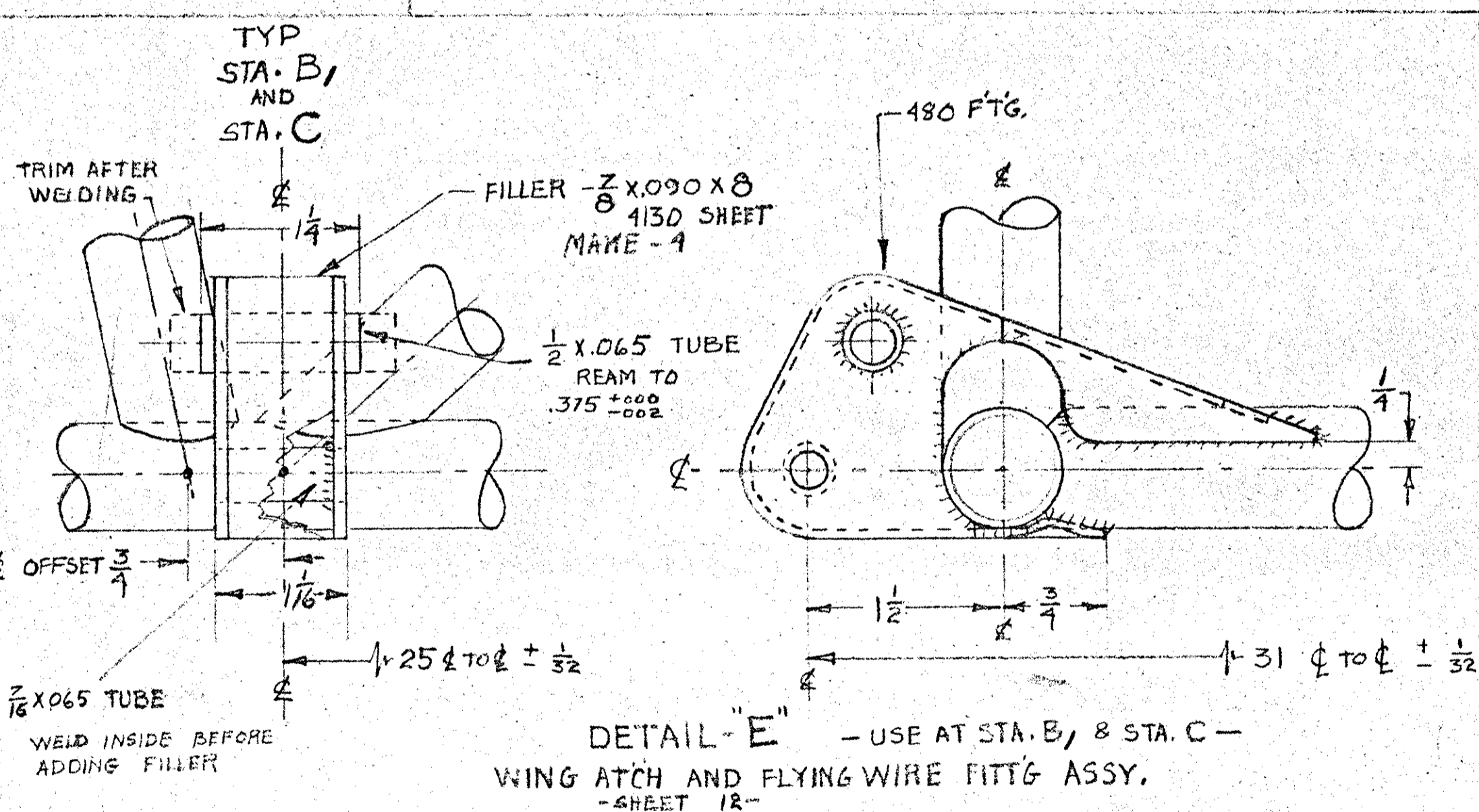


DETAIL "C"  
LANDING GEAR MOUNT ASSY.  
- SHEET 12 -

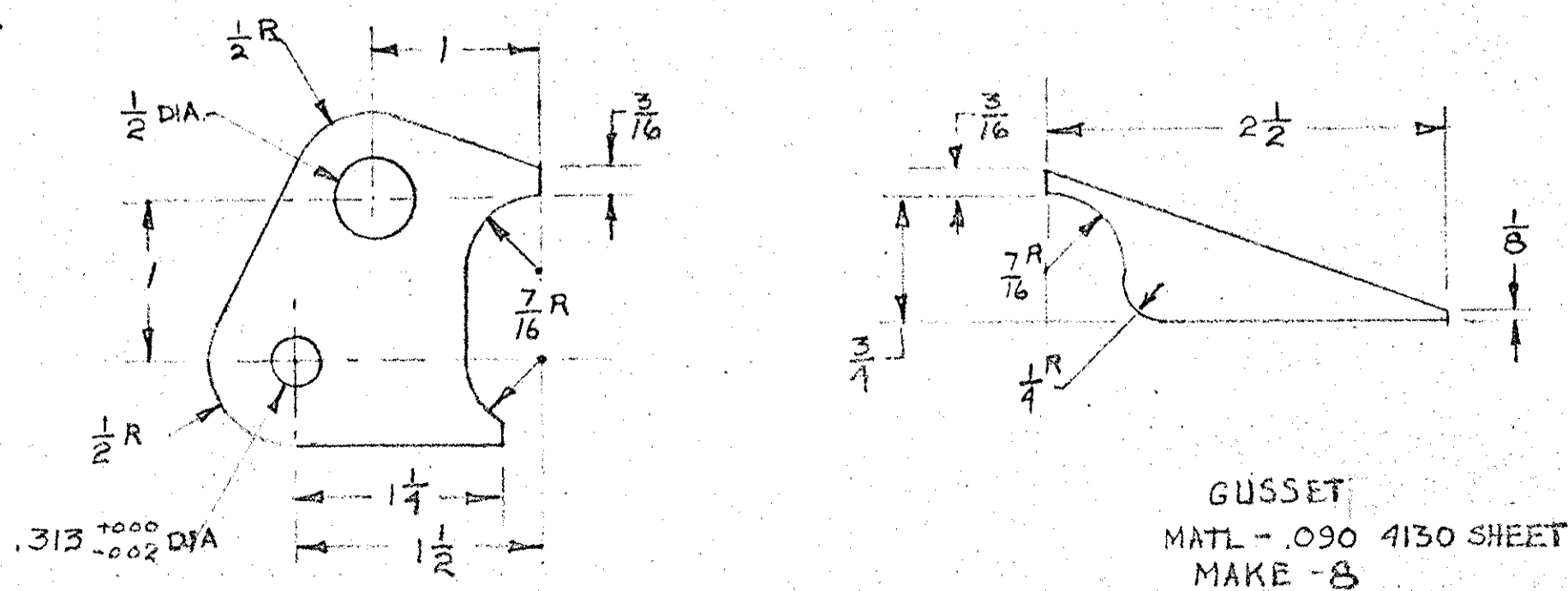
- USE AT STA. B & STA. B1 -  
- INSTALL AFTER - 480 ASSY -



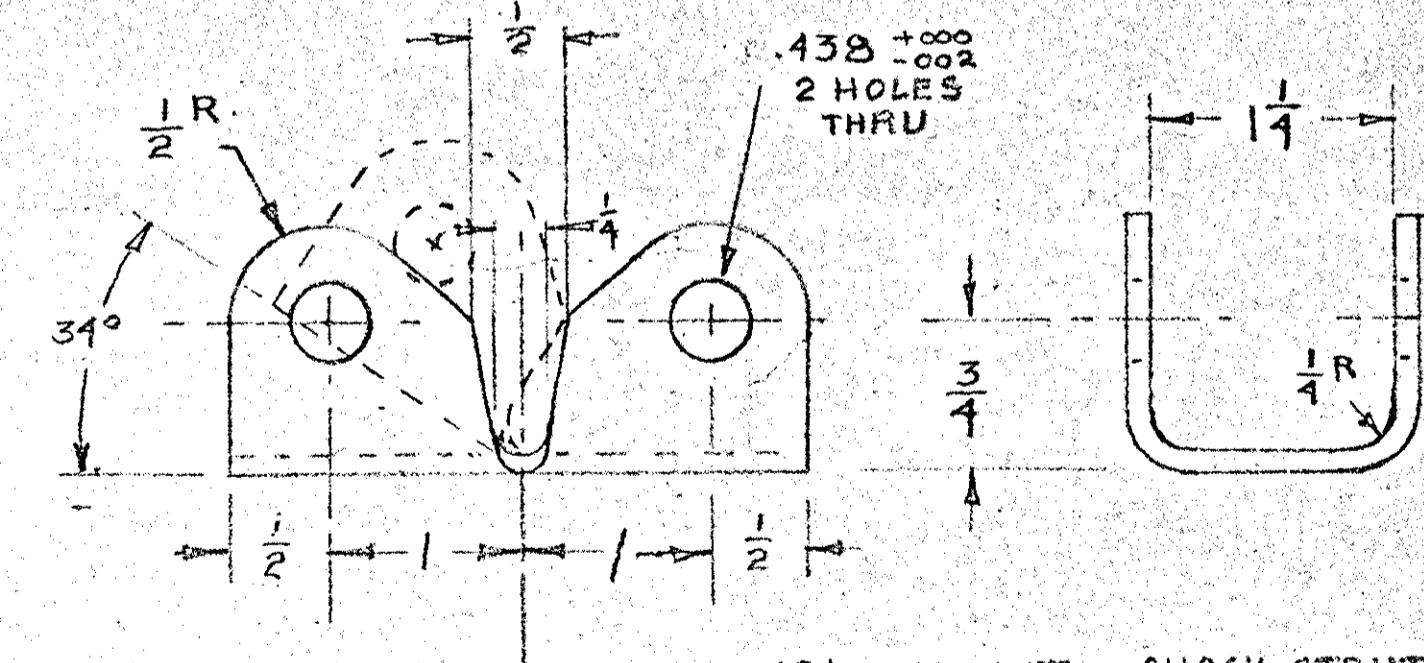
-479 FITTING - LD6 MT  
MATL - .090 4130 SHEET  
MAKE - 8



DETAIL - "E" - USE AT STA. B1 & STA. C -  
WING ATTACH AND FLYING WIRE FITTING ASSY.  
- SHEET 12 -



-480 FITTING - WING ATTACH  
MATL - .090 4130 SHEET  
MAKE - 8



-481 MOUNT - SHOCK STRUT  
MATL - .125 4130 SHEET  
MAKE - 1

MARQUART MA-5 "Charger"			ED MARQUART P.O. BOX 3032 RIVERSIDE, CAL. 92509	
DRN.	8/19	8-66	FUSELAGE - DETAILS -	
CHK.	8/19	1-70		
REV.	8/19	6-71		
TR.	8/19	1-72		
PRINT SER. NO.	8236		SCALE - FULL	SHEET - 13 OF 61