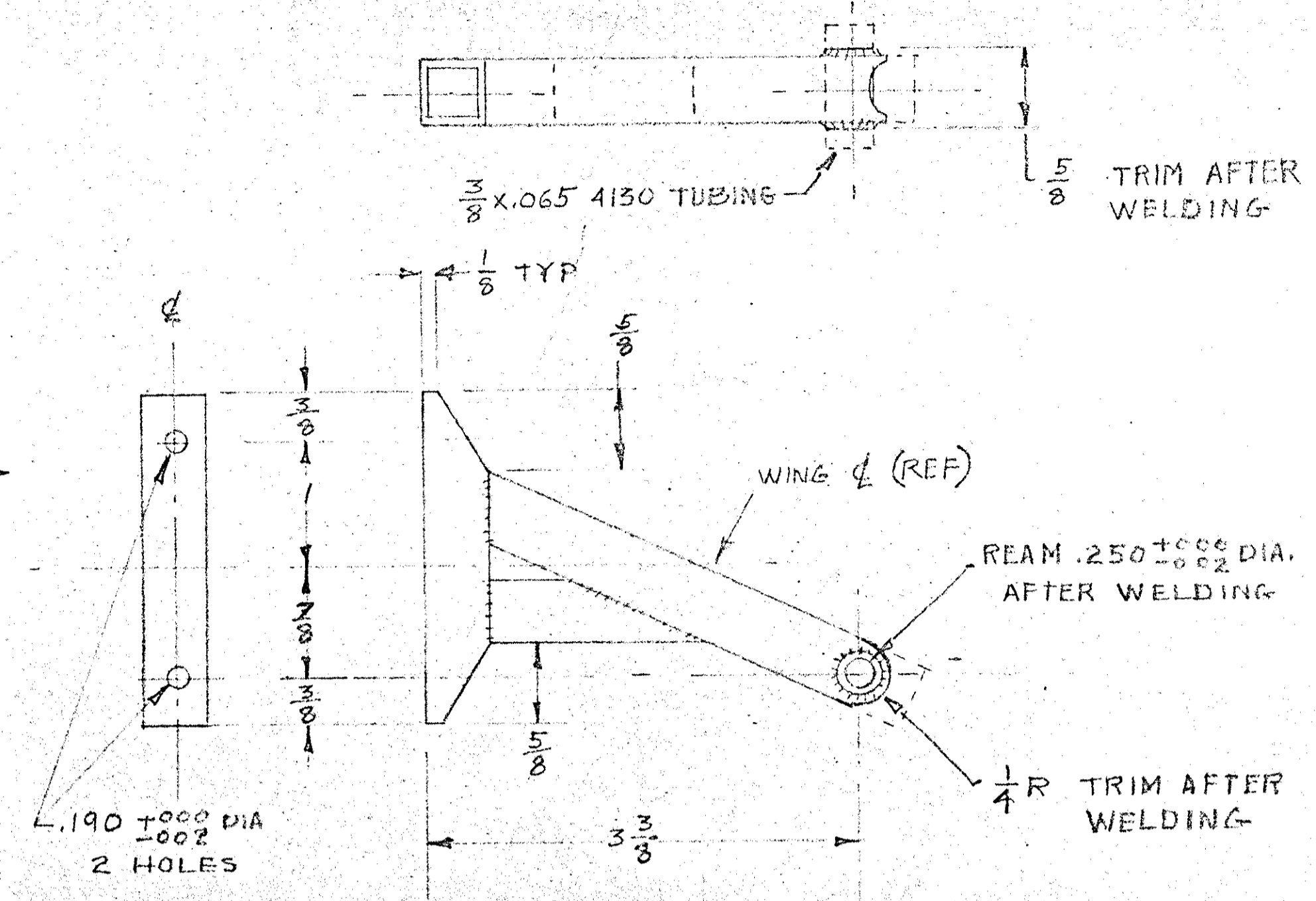
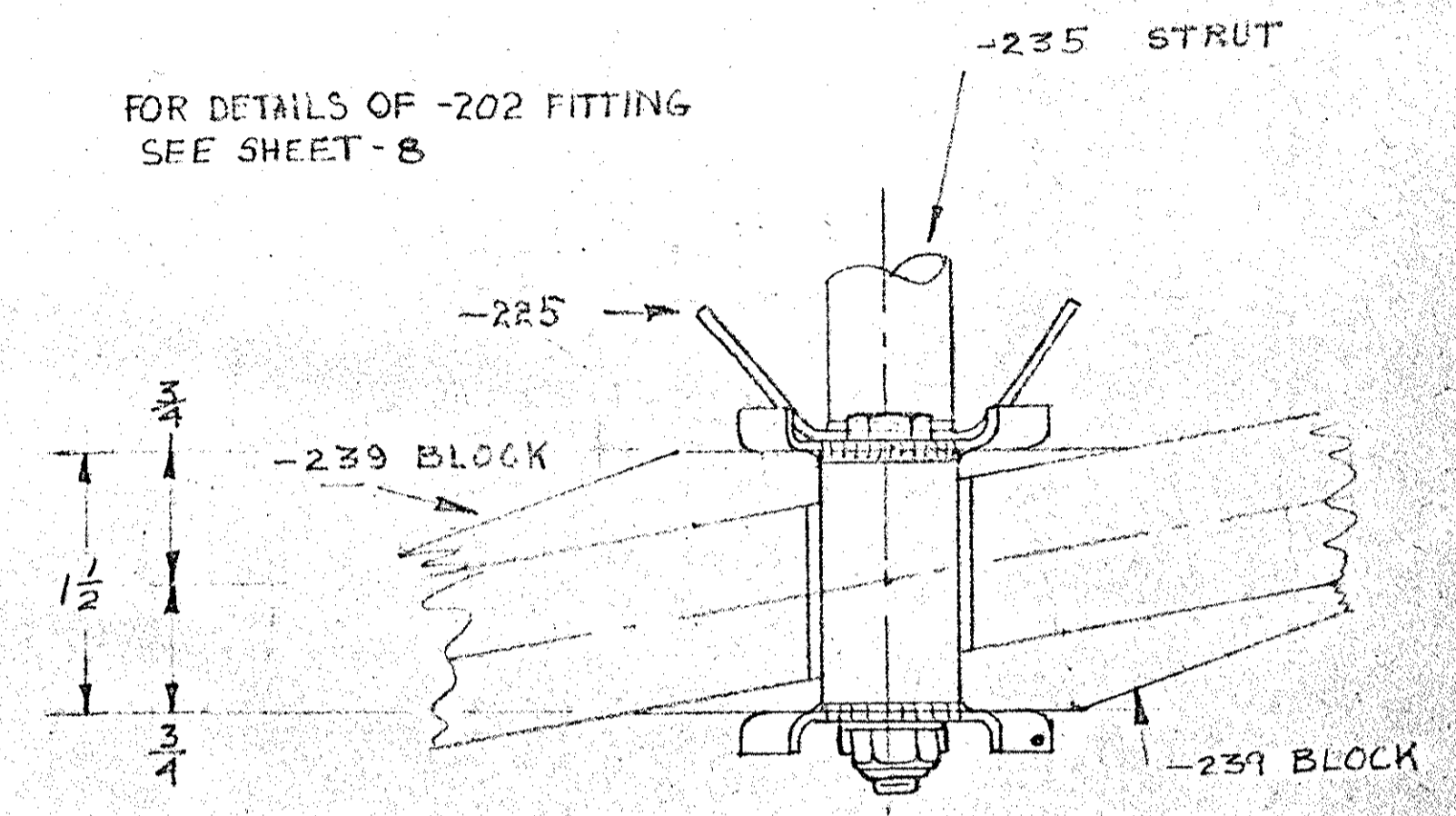


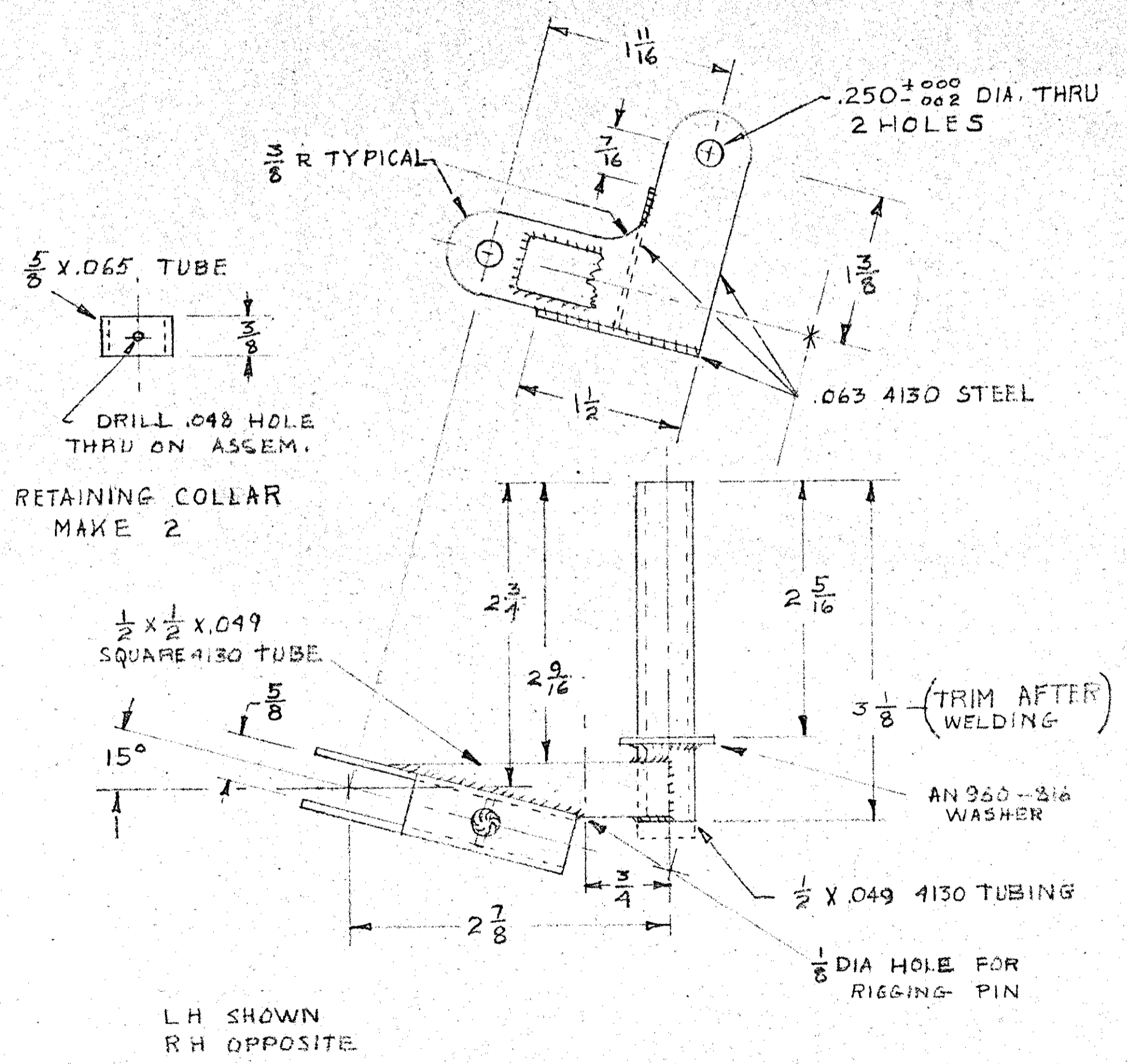
SECTION "BB" (SEE SHEET 3)
AILERON BELLCRANK ASSY



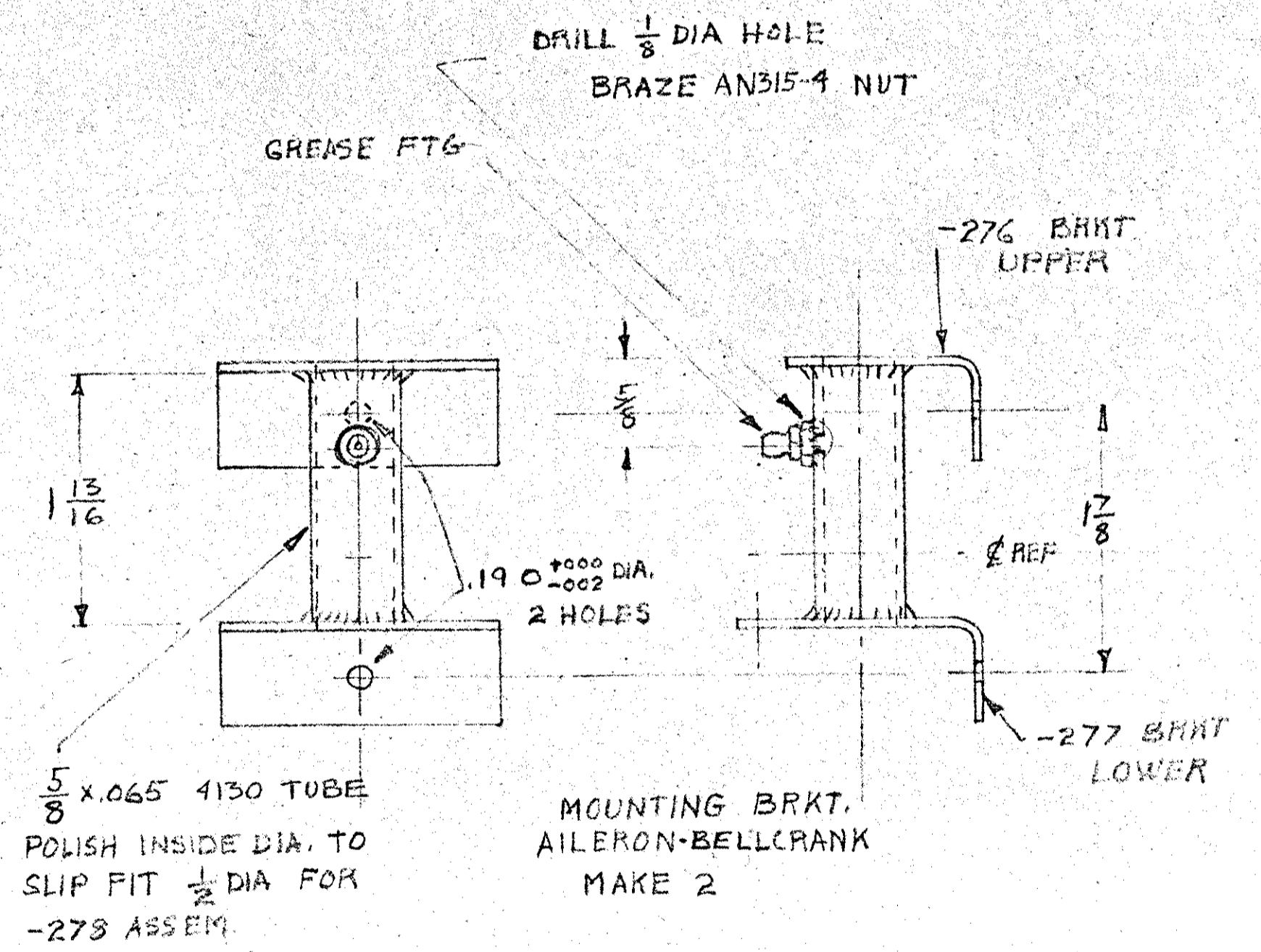
-222 BRACKET - AILERON MOUNT
MATL = 1/2 X .049 SQUARE 4130 STEEL TUBING
MAKE 12



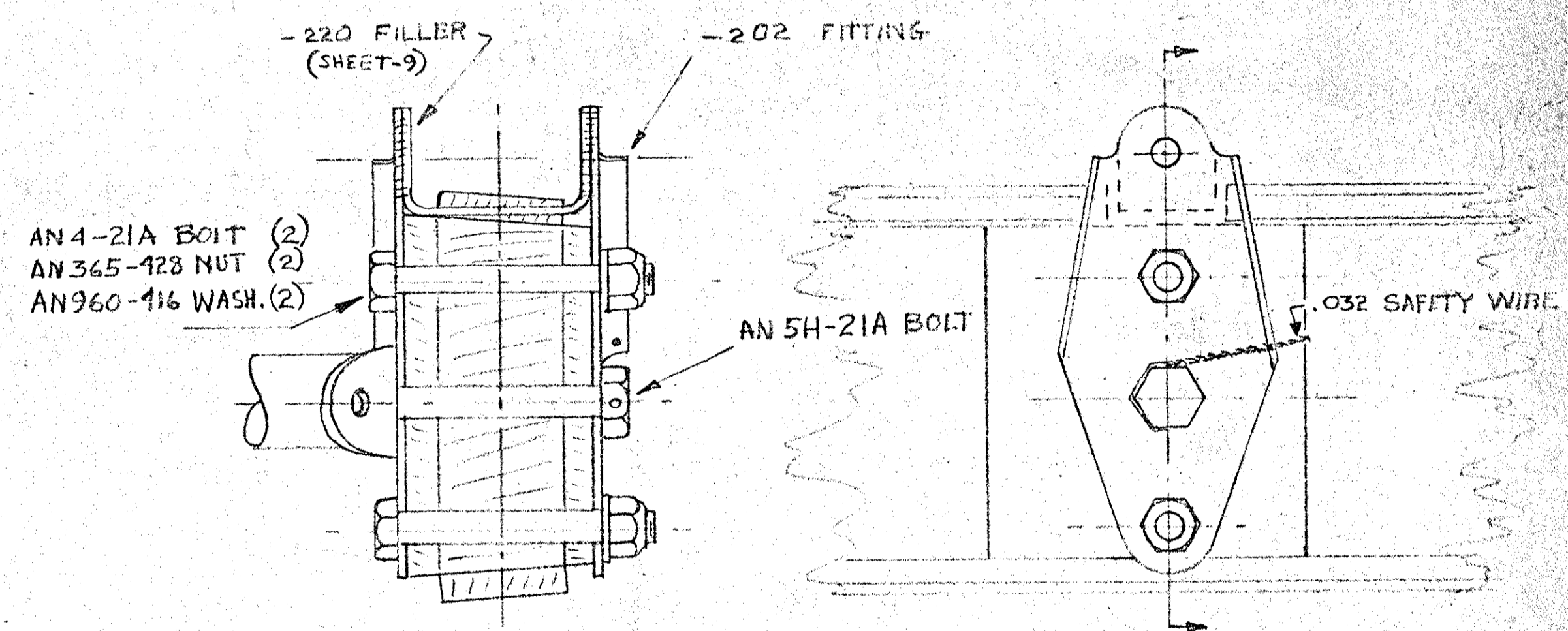
FOR DETAILS OF -202 FITTING
SEE SHEET-8



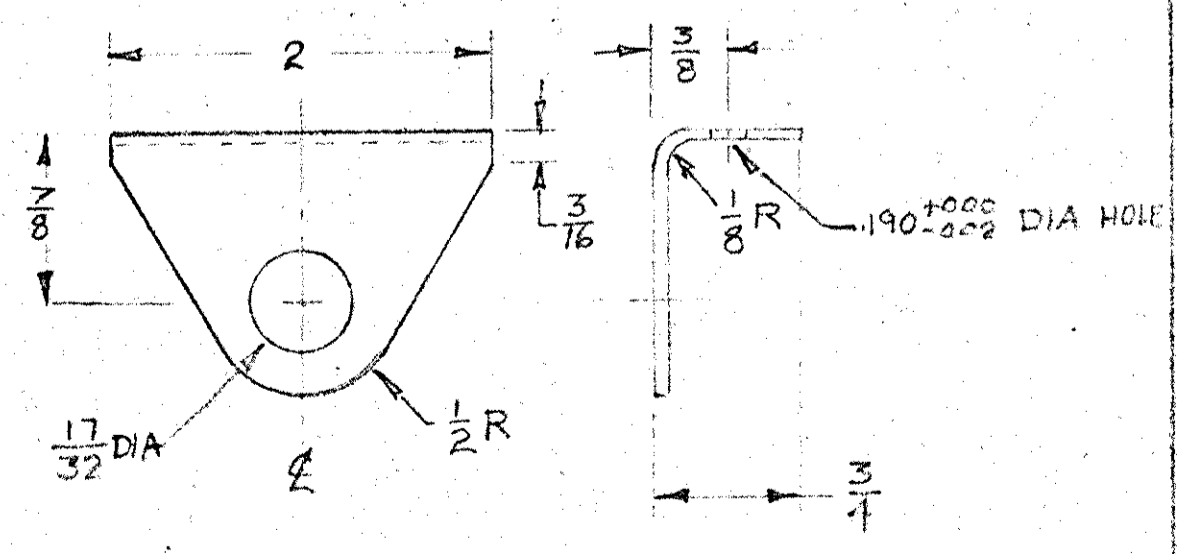
-278 BELLCRANK - AILERON
MATL = SEE ABOVE
MAKE 2 (1 LH & 1 RH)



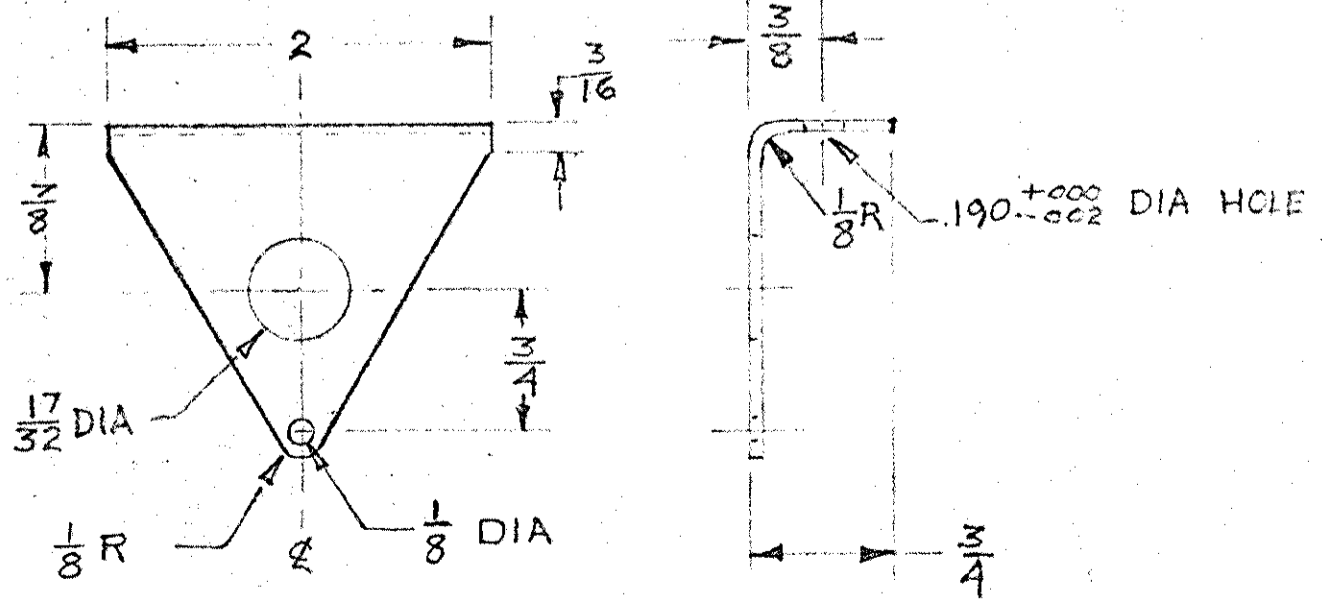
MOUNTING BRKT.
AILERON-BELLCRANK
MAKE 2



DETAIL "DL" (SEE SHEET-3)
FITTING ASSY - INTER PLANE STRUT
LOWER REAR



-276 MOUNT BRKT-UPPER
AILERON BELLCRANK
MATL = .063 4130 STEEL
MAKE 2



-277 MOUNT BRKT-LOWER
AILERON BELLCRANK
MATL = .063 4130 STEEL
MAKE 2

MARGUART MA-5		ED MARGUART P.O. BOX 3032 RIVERSIDE, CAL. 92509	
"Charger"			
DRN	8-66	AILERON BELLCRANK & BRACKET'S - WING FITTINGS - LOWER	
CHK	1-70		
REV	6-71		
TR.	1-72		
PRINT SER. NO.	02236	SCALE - FULL	SHEET 10 OF