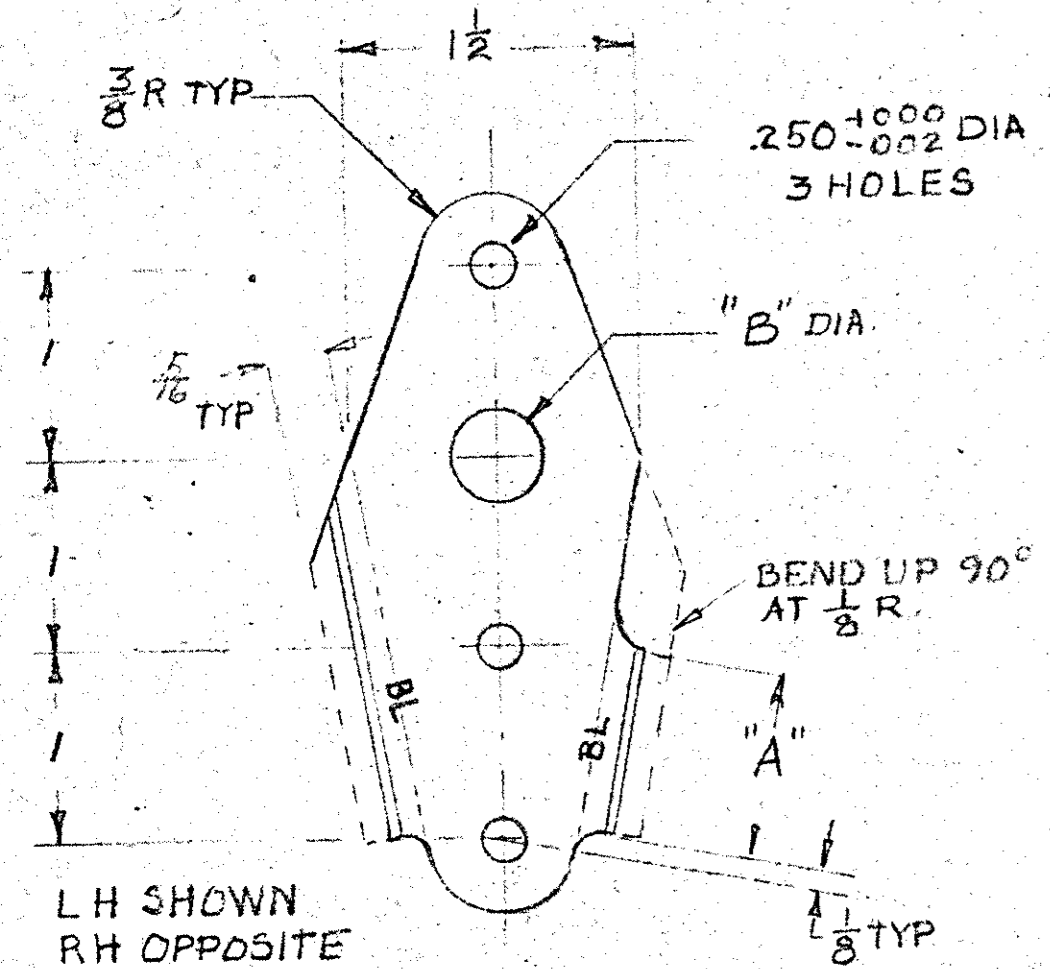
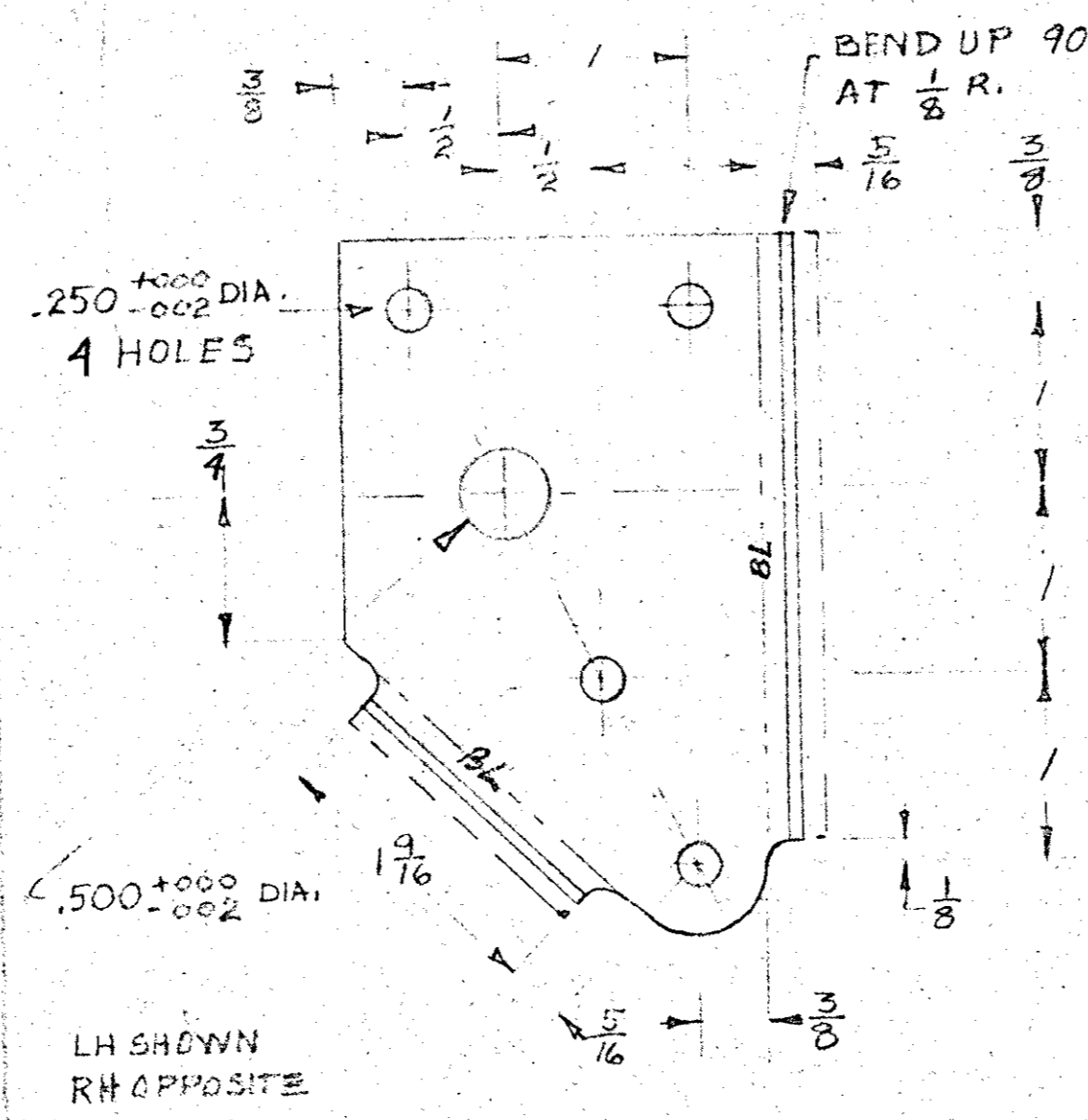
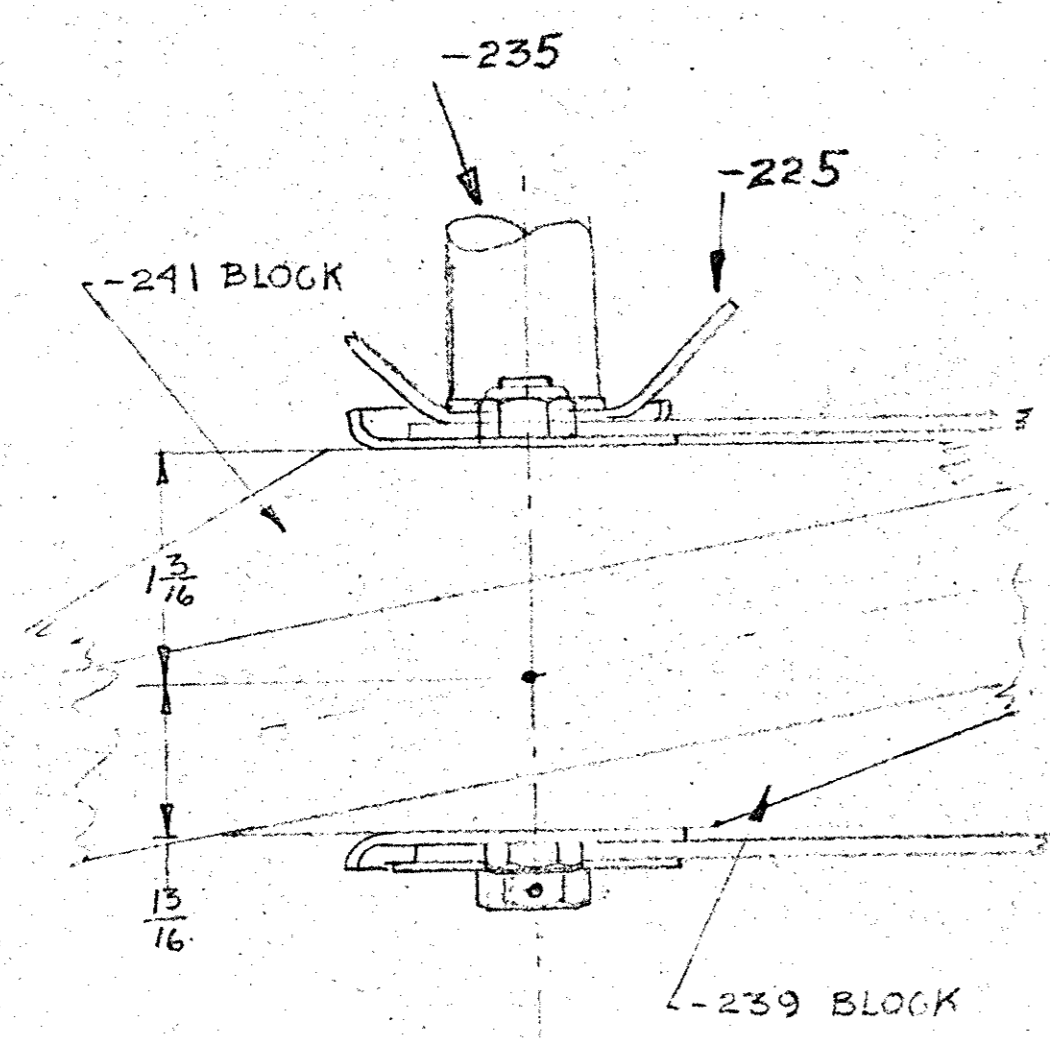


DASH NO.	NO. REQ'D
-238	48
-239	6
-240	4
-241	2
-242	8
-243	4

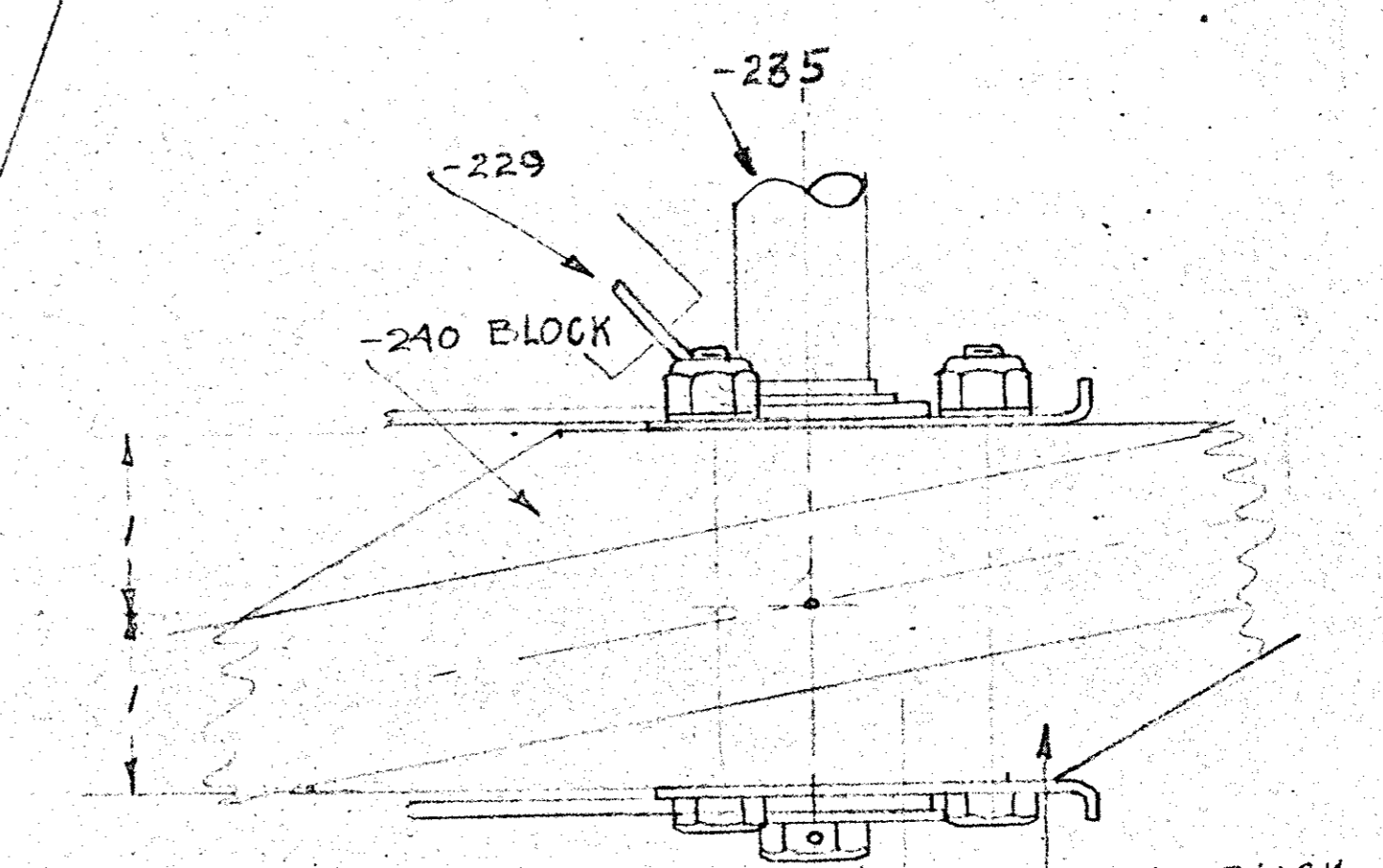


DASH NO.	NO. REQ'D	A' DIM.	B' DIA.
-202	4	1 7/8	3 15/16
-203	4 (2 LH, 2 RH)	1 1/8	5 1/8

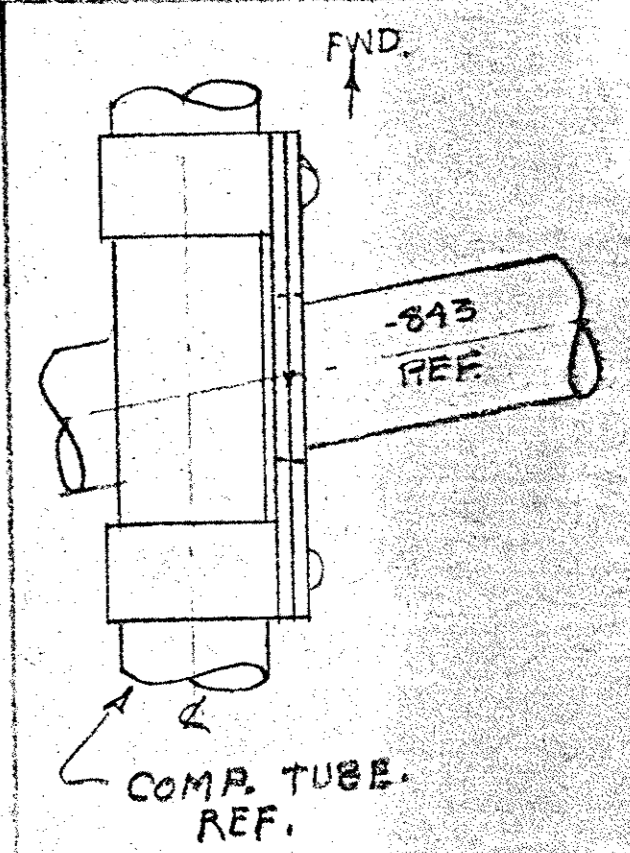
FITTING - INTERPLANE STRUT - REAR
MATL = .063 4130 STEEL
- SEE TABLE FOR REQ'S -



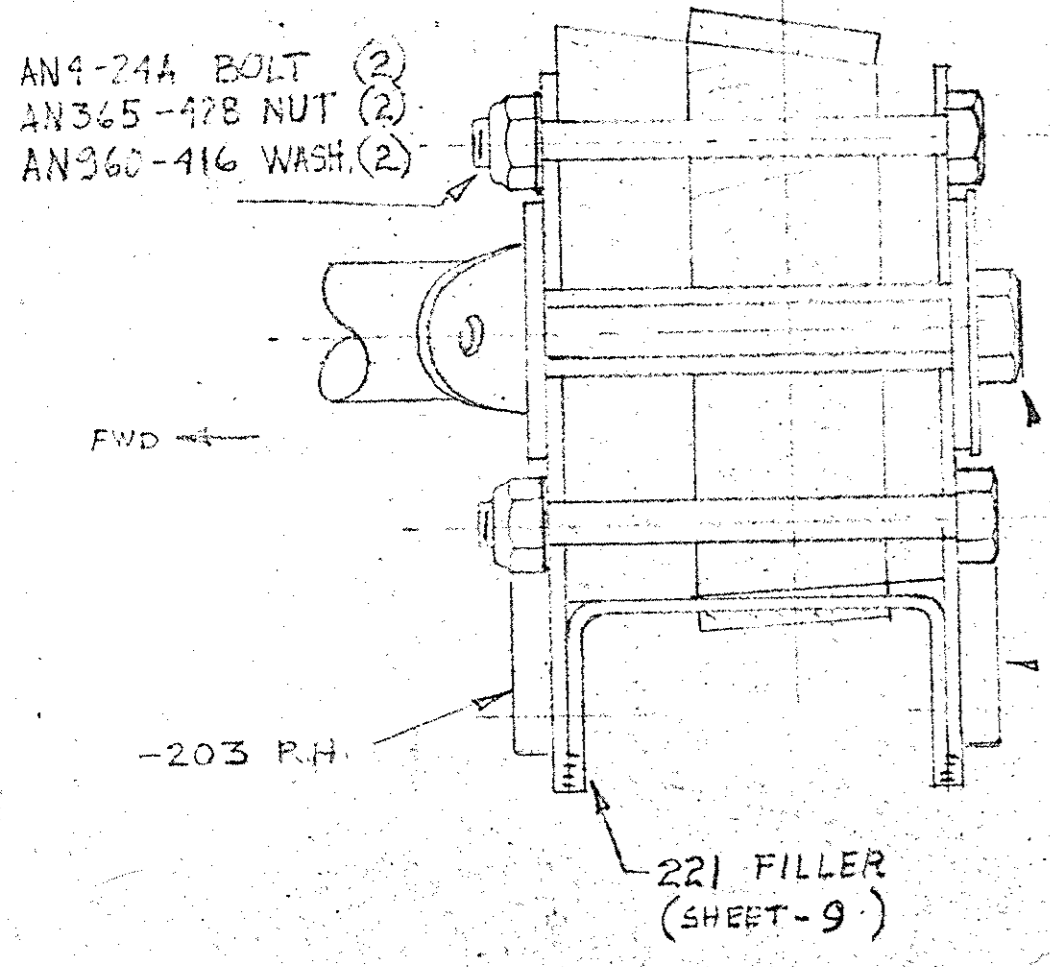
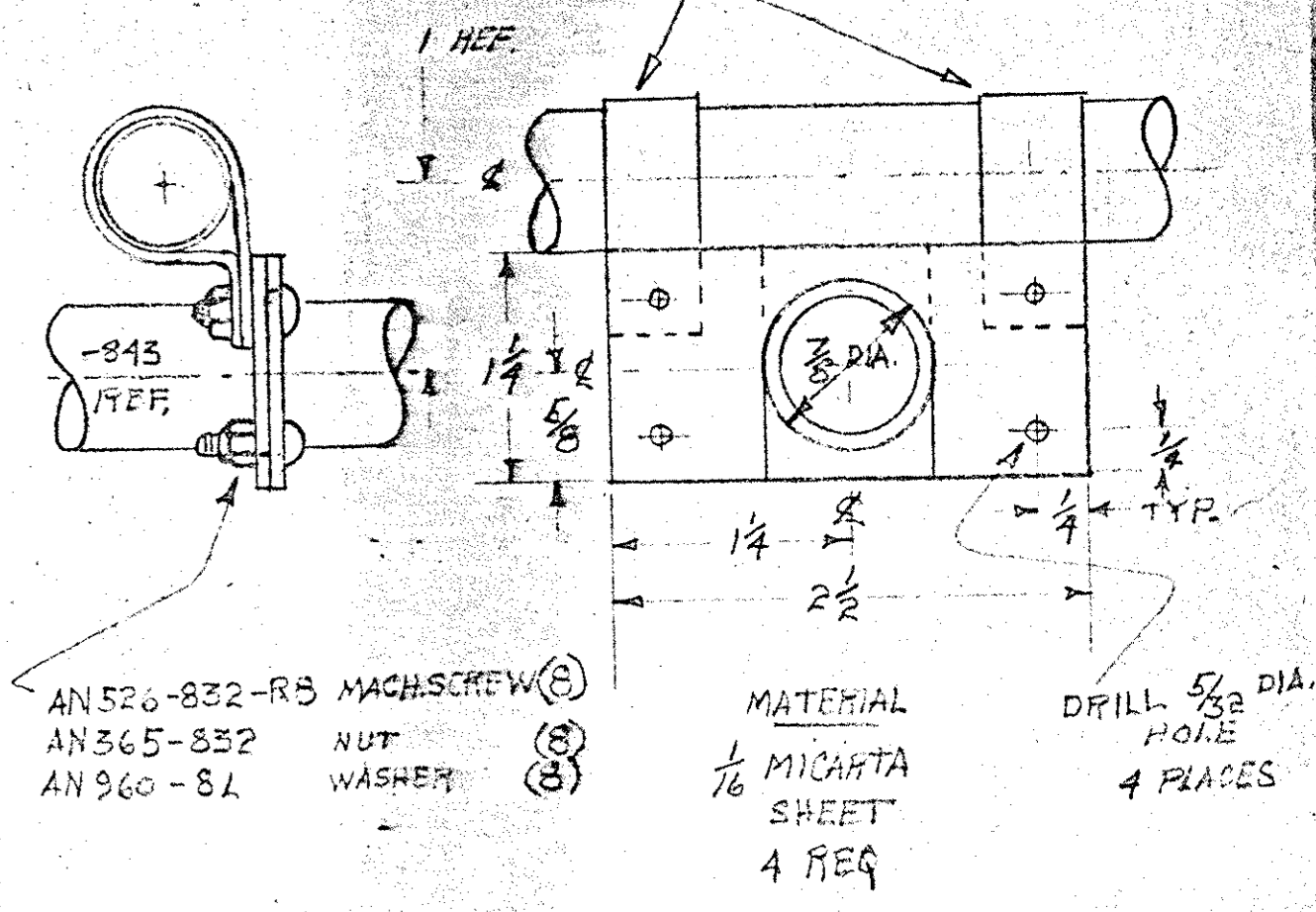
-252 FITTING - CABANE STRUT - REAR
MATL = .063 4130 STEEL
MAKE 4 2 L.H. & 2 R.H.



AN 5H-27A BOLT
AN 970-516 WASH.

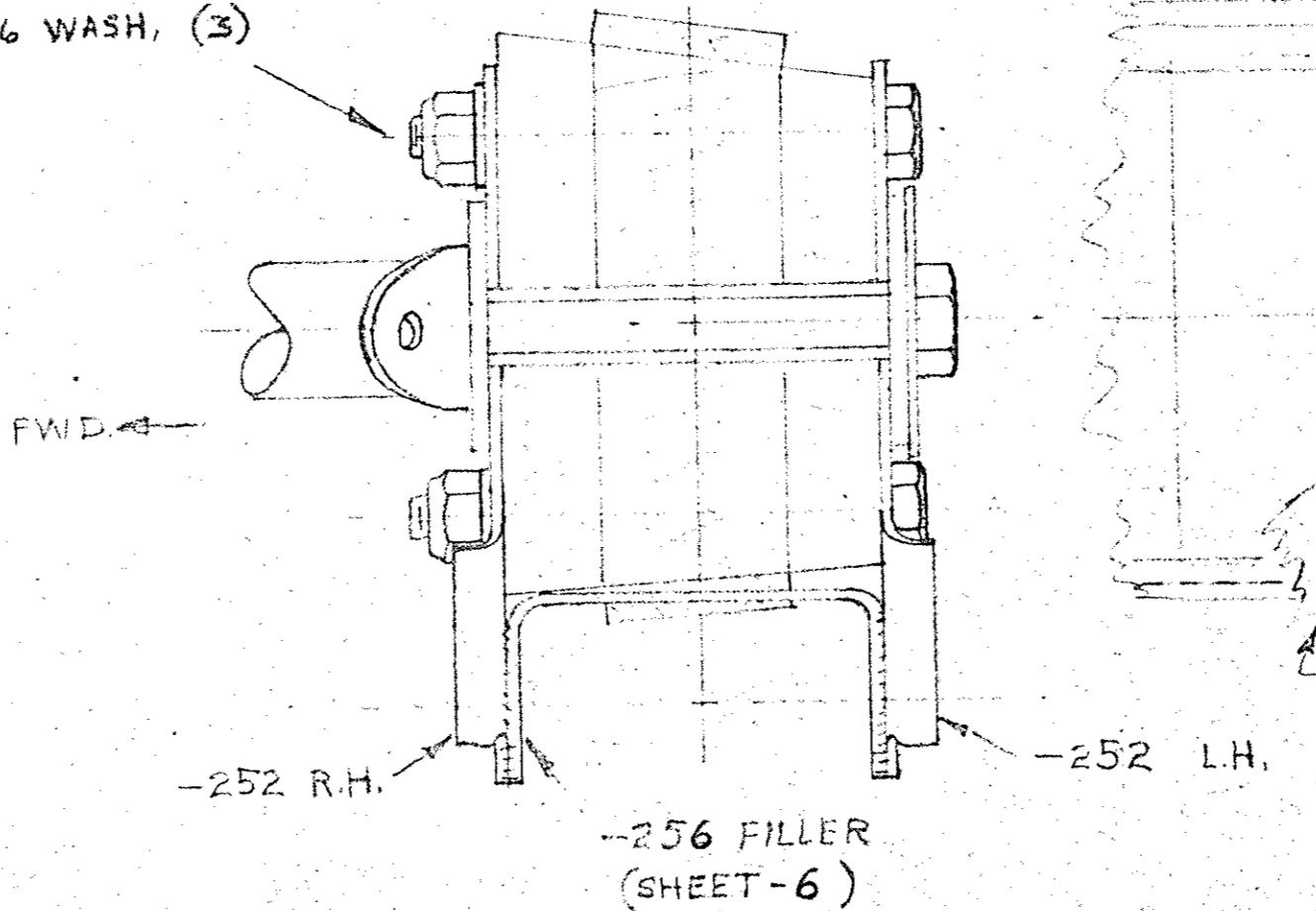


AN 742-D12 CLAMP (4)



AN 5H-27A BOLT (1)
AN 970-516 WASH. (1)

AN 4-24A BOLT (3)
AN 365-428 NUT (3)
AN 960-116 WASH. (3)



MARGUART MA-5		"Charger"	
DRN.	5/11	8-66	
CHK.	5/11	1-70	
REV.	0/1	6-71	
TR	4/11	1-72	
PRINT SER. NO. 0236		SCALE = FULL SIZE SHEET 8 OF	

WEDGE BLOCKS -
WING FITTINGS -
RIB SUPPORTS -

ED. MARGUART
P.O. BOX 3032
RIVERSIDE, CAL.
92509