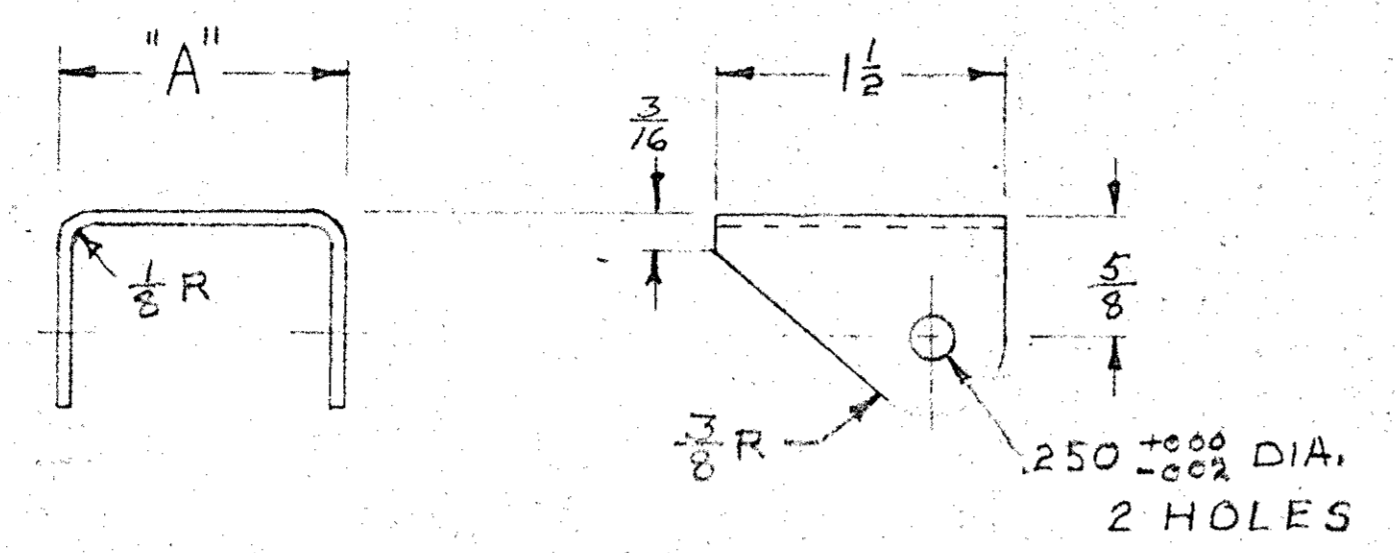
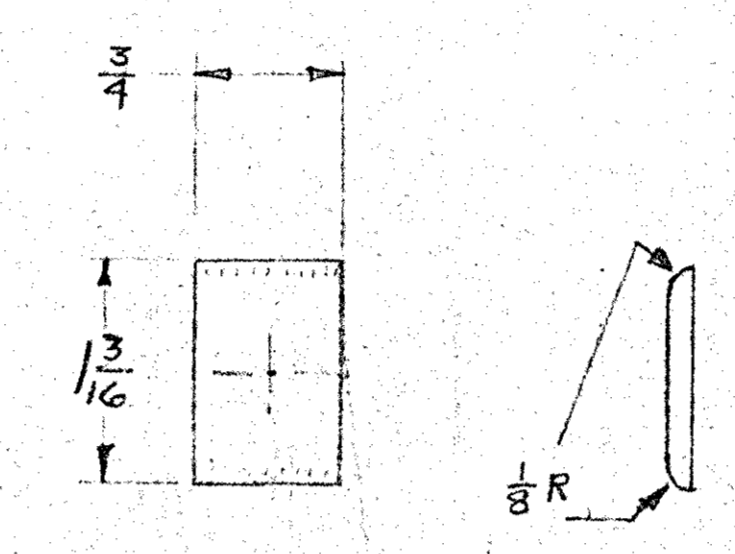


-251 CABANE STRUT FITTING - FRONT
MATL = .063 4130 STEEL
MAKE 4 (2 LH & 2 RH)

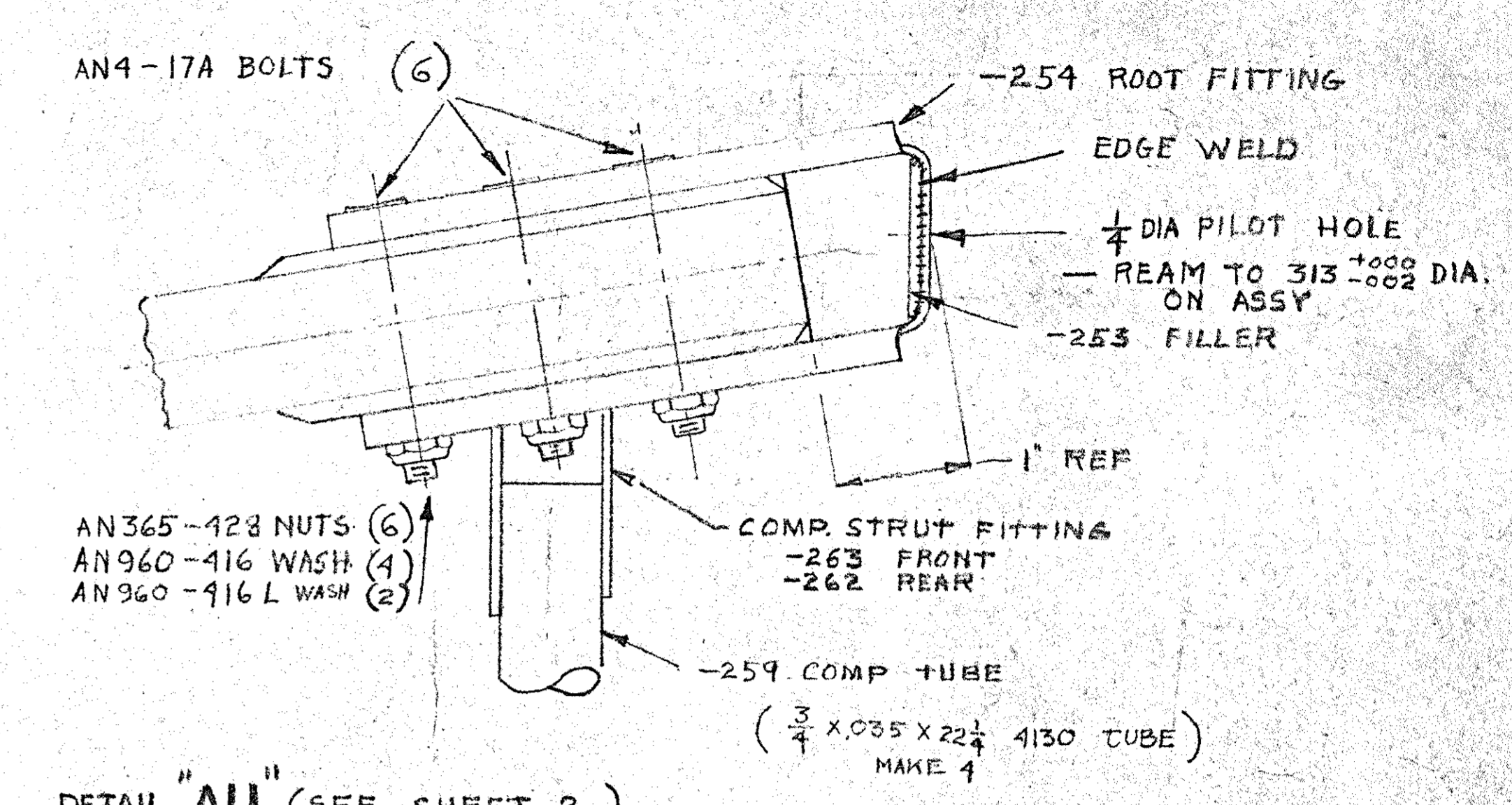


DASH NO.	NO. REQD.	"A"
-255	2	1 1/2
-256	2	2

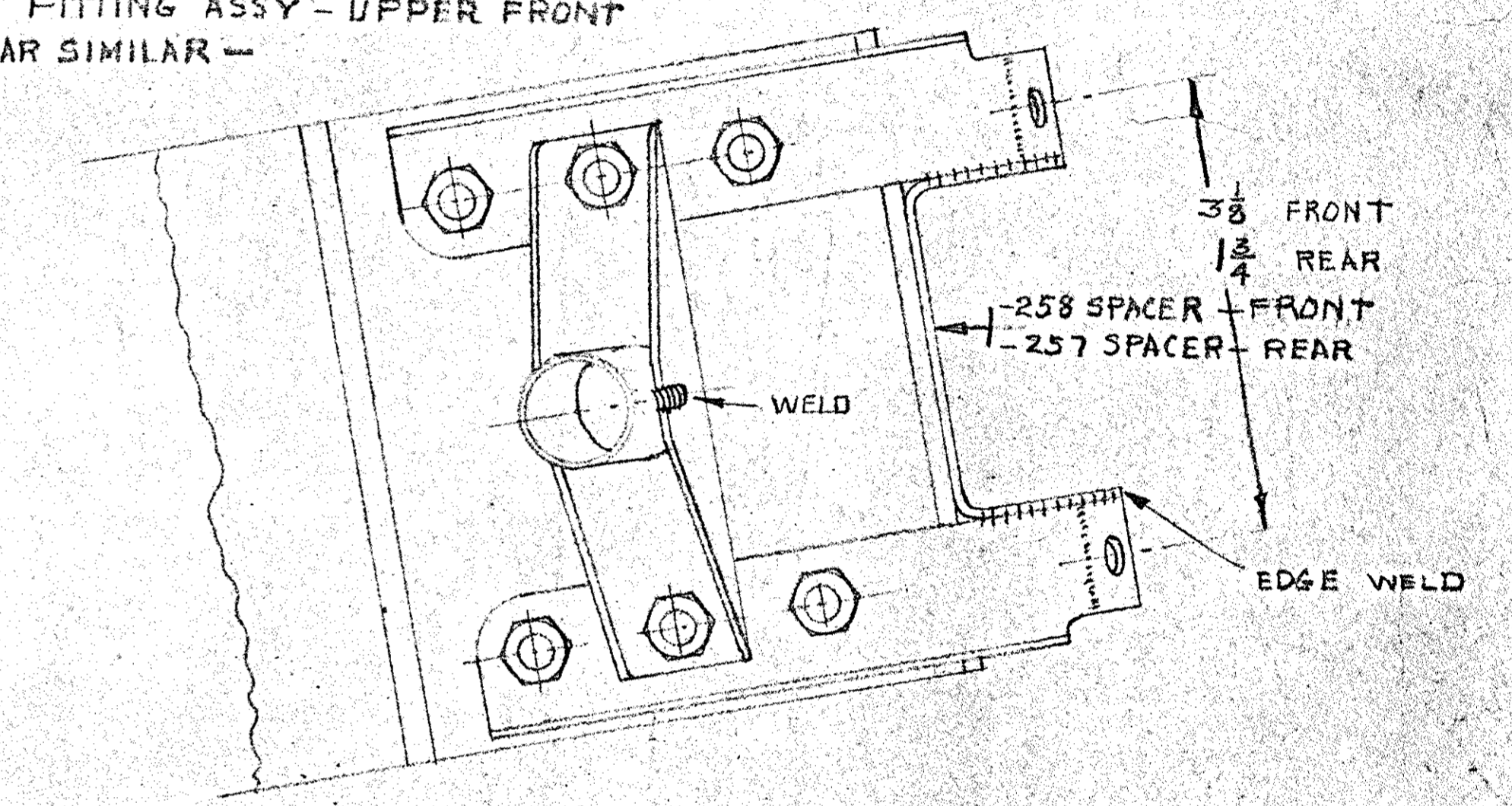
FILLER-CABANE STRUT FITTING
MATL = .063 4130 STEEL
- SEE TABLE FOR REQS -



-253 FILLER
UPPER WING - ROOT FITTING
MATL = .090 4130 STEEL
MAKE 8

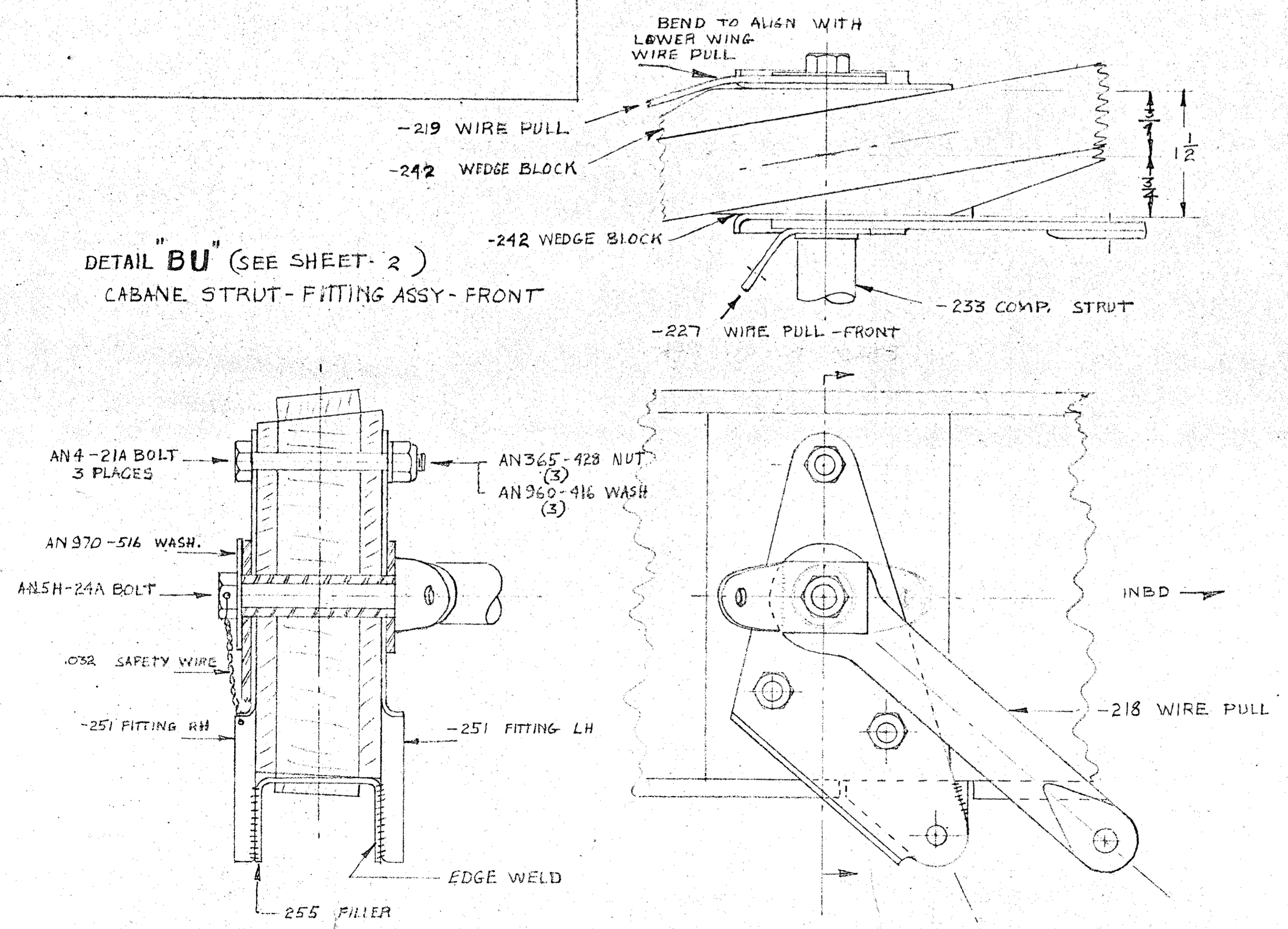


DETAIL "AU" (SEE SHEET 2)
ROOT FITTING ASSY - UPPER FRONT
- REAR SIMILAR -

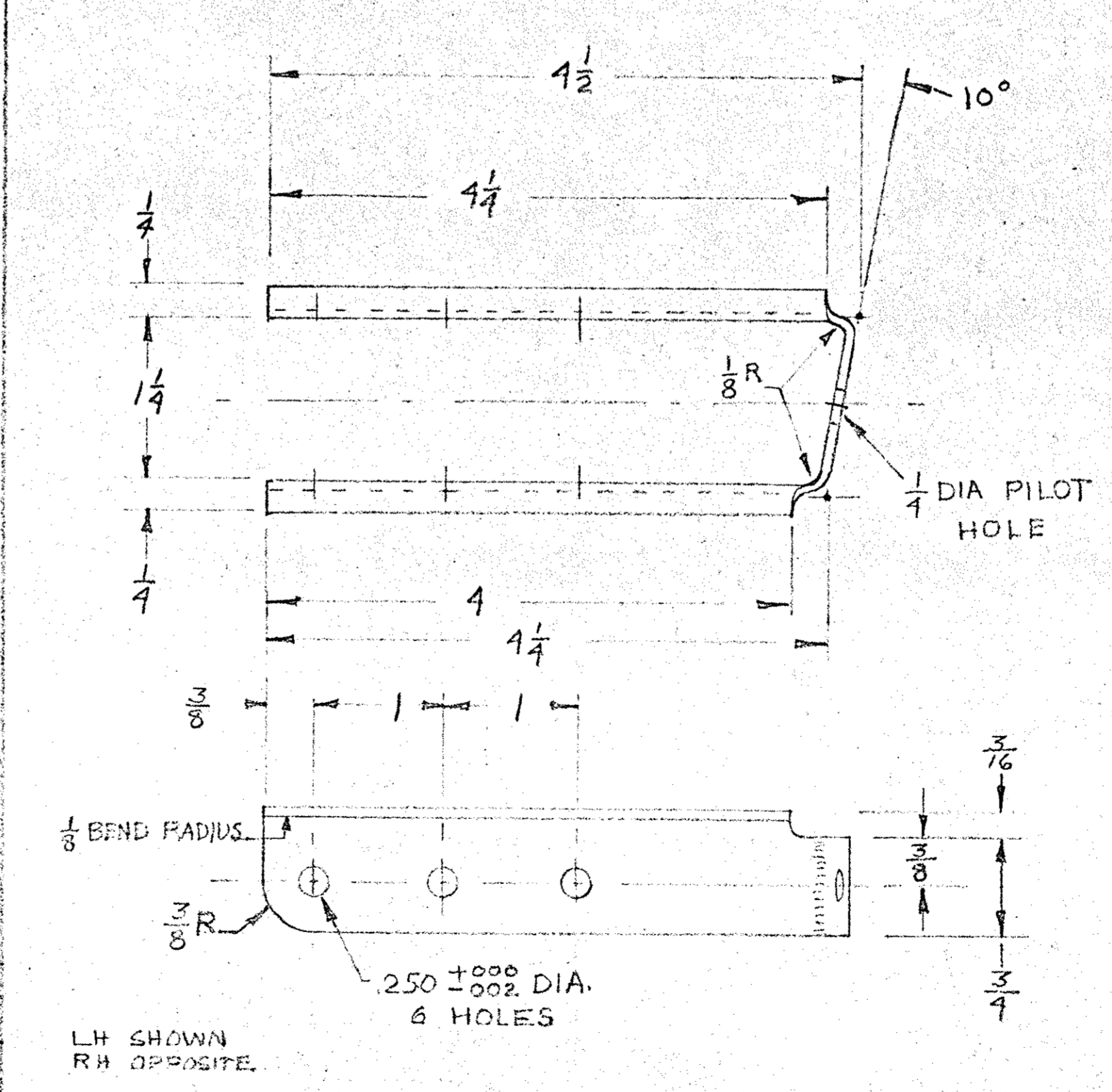
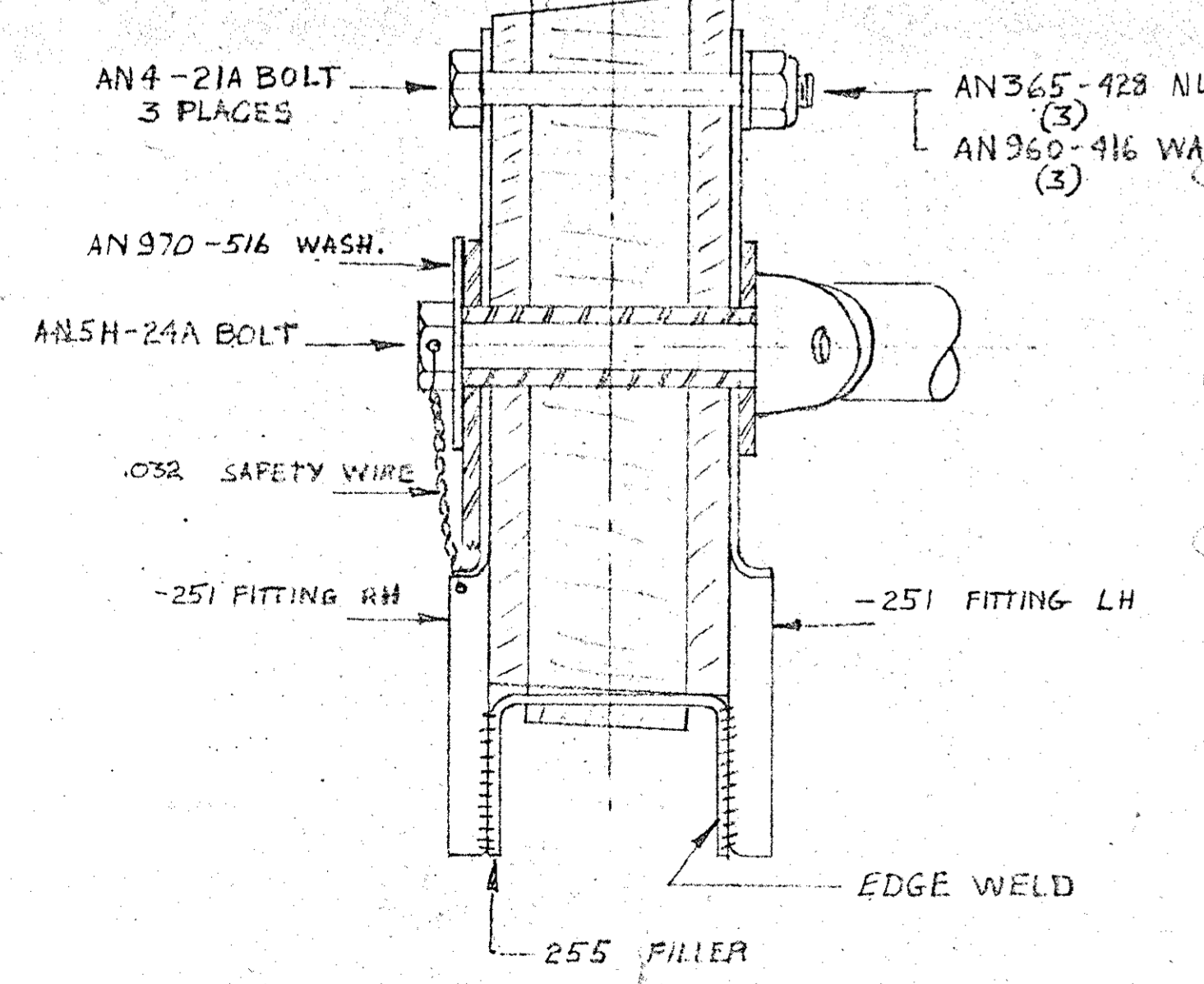


DASH NO.	NO. REQD.	"A"
-257	2	1
-258	2	2 3/8

SPACER
UPPER WING- ROOT FITTING
MATL = .063 413 STEEL
- SEE TABLE FOR REQS -



DETAIL "BU" (SEE SHEET 2)
CABANE STRUT-FITTING ASSY - FRONT



-254 FITTING - UPPER WING-ROOT
MATL = .063 4130 STEEL
MAKE 8 (4 LH & 4 RH)

MARGUART MA-5		ED MARGUART P.O. BOX 3032, RIVERSIDE, CAL. 92509	
"Charger"			
DRN.	6	8-66	WING FITTING'S UPPER
CHK.	6	1-70	
REV.	6	4-71	
TR.	6	1-72	
PRINT SER. NO.	6236	SCALE - FULL	