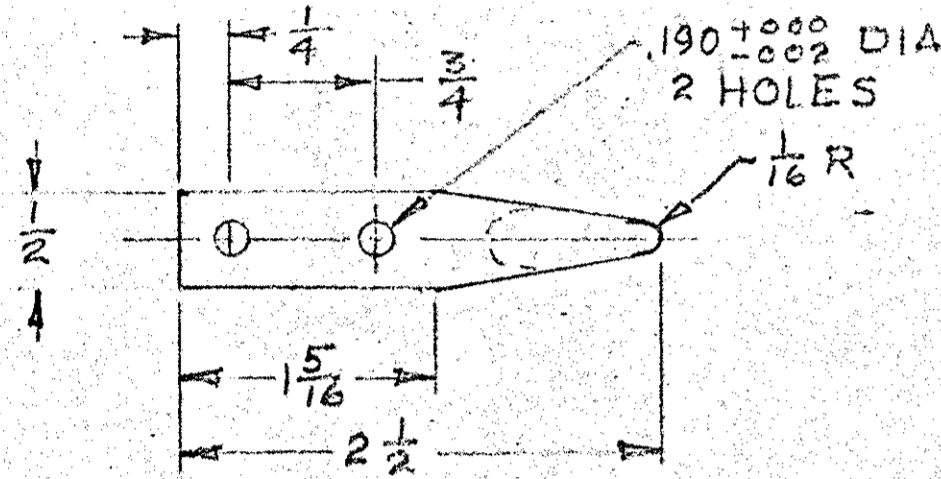
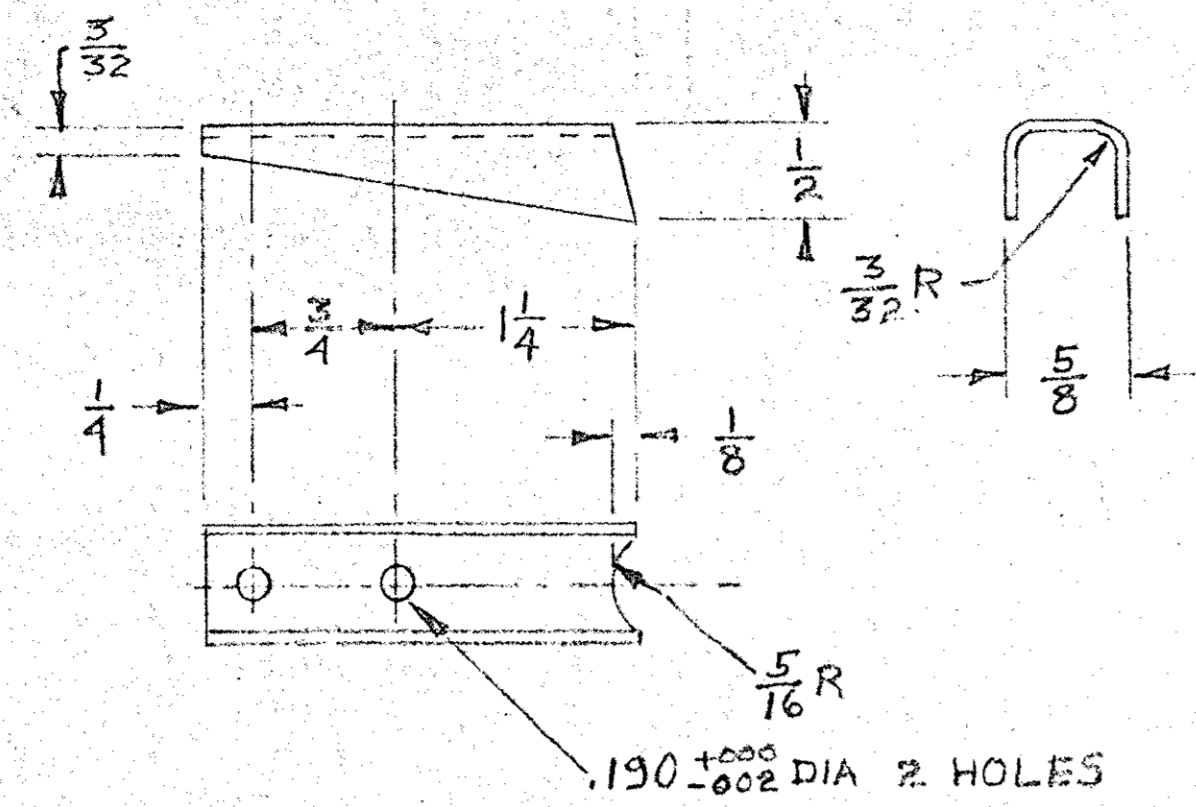


-212 ATTACH FITG.-WING TIP BOW - L.E.
MATL = 049 4130 STEEL
MAKE 4

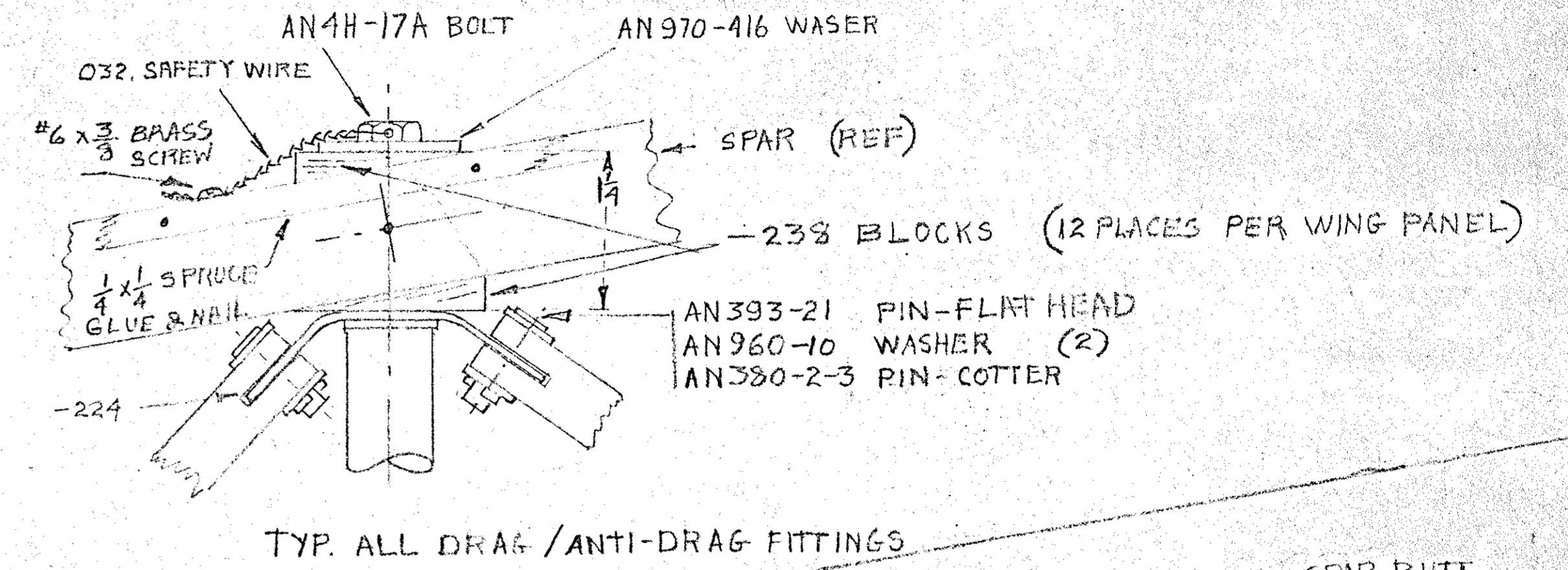
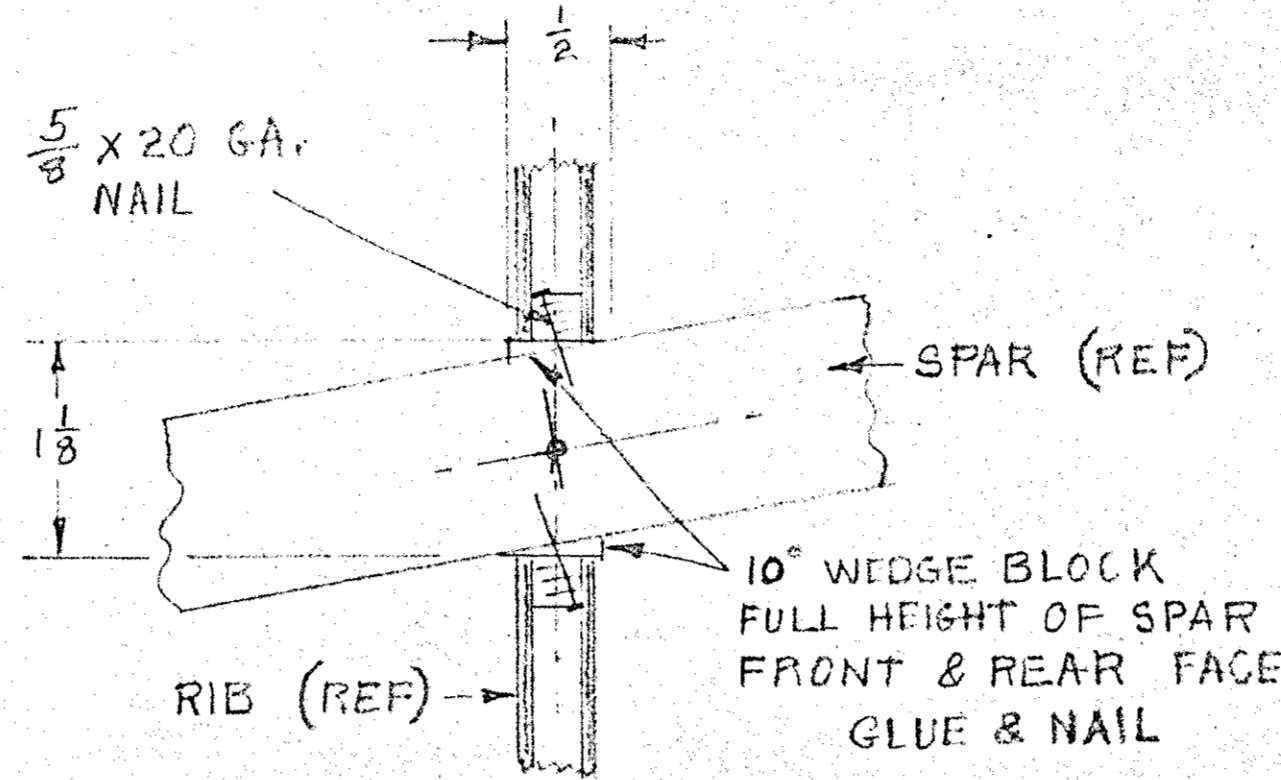


-213 ATTACH FITG.-WING TIP BOW - T.E.
MATL = 049 4130 STEEL
MAKE 4

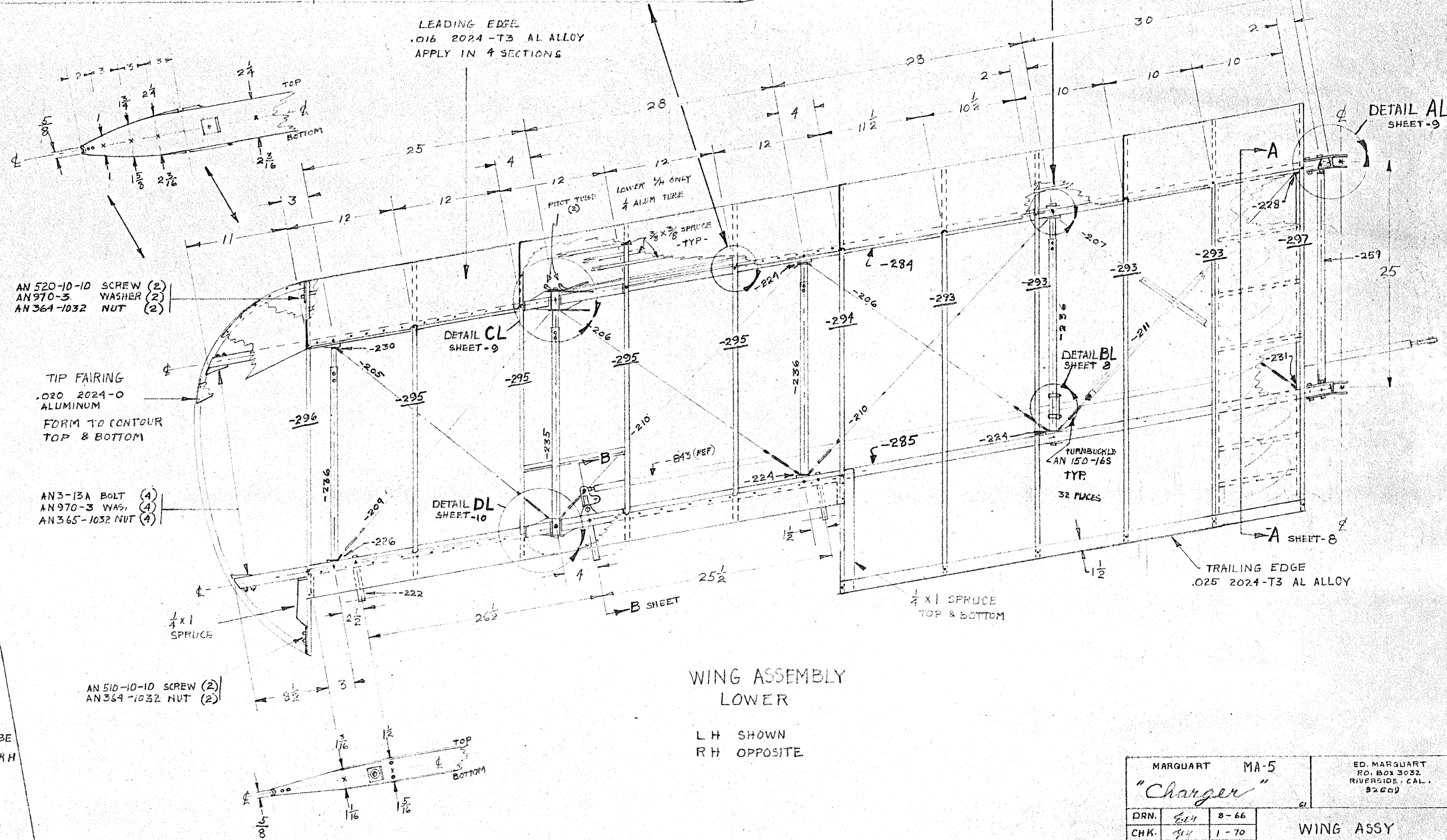


-214 ATTACH FITG.-WING TIP BOW - SPAR
MATL = 049 4130 STEEL
MAKE 8

TYP. ALL SPAR/RIB JOINTS



TYP. ALL DRAG/ANTI-DRAG FITTINGS



LEADING EDGE
.016 2024-T3 AL ALLOY
APPLY IN 4 SECTIONS

AN 520-10-10 SCREW (2)
AN 970-3 WASHER (2)
AN 364-1032 NUT (2)

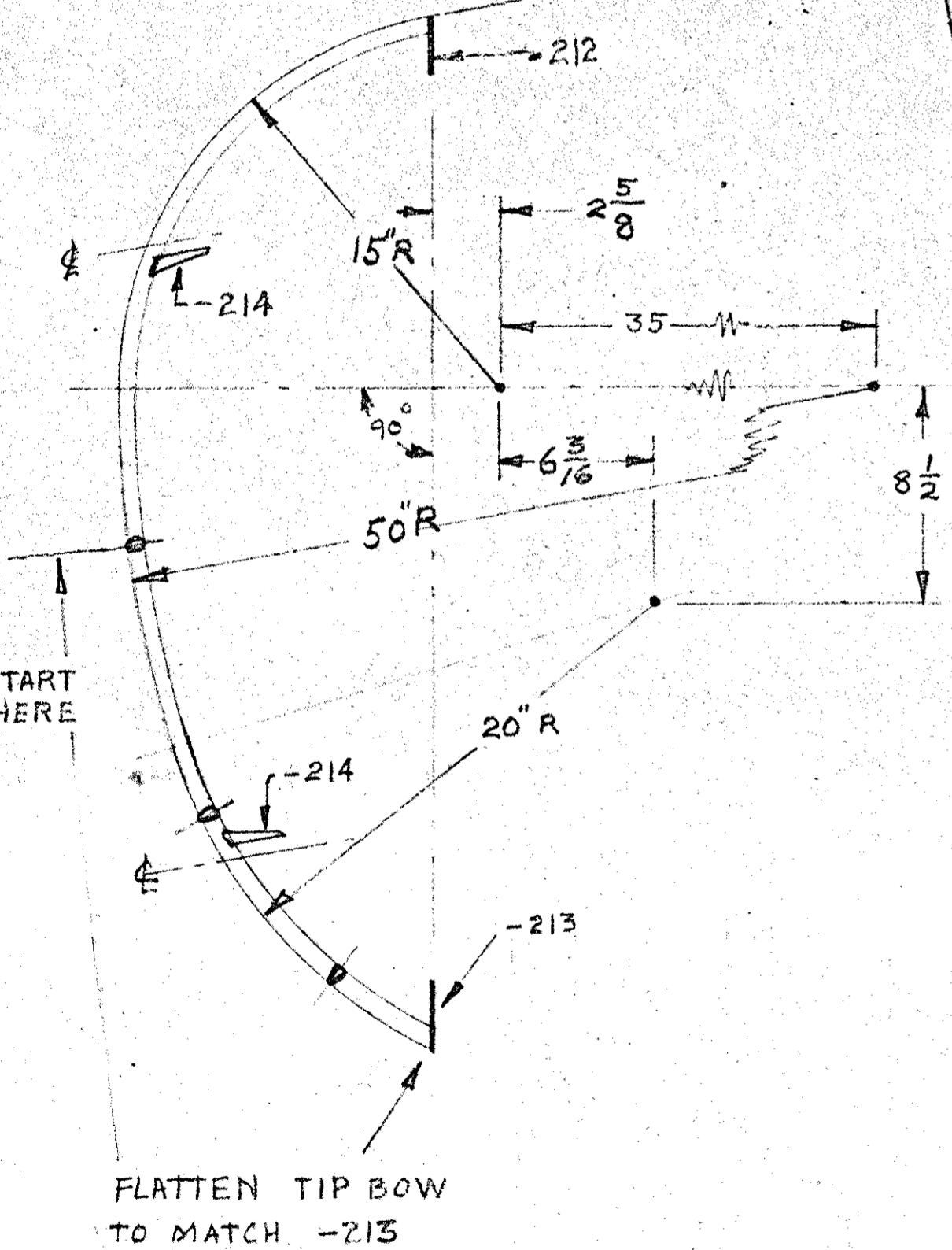
TIP FAIRING
.020 2024-O ALUMINUM
FORM TO CONTOUR
TOP & BOTTOM

AN3-13A BOLT (4)
AN970-3 WAS. (4)
AN365-1032 NUT (4)

AN 510-10-10 SCREW (2)
AN 364-1032 NUT (2)

WING ASSEMBLY
LOWER

LH SHOWN
RH OPPOSITE



FLATTEN TIP BOW
TO MATCH -213

-232 TIP BOW
MATL = 5/8 x .035 4130 TUBE
MAKE 4 2LH & 2RH

MARGUART MA-5		ED. MARGUART P.O. BOX 3032 RIVERSIDE, CAL. 92509	
"Charger"			
DRN.	EW	8-66	WING ASSY - LOWER -
CHK.	EW	1-70	
REV.	EW	6-71	
TR.	EW	1-72	
PRINT SER. NO. 0236		SCALE - 2 1/2" = FULL	SHEET - 3 OF -